



This Online Learning Seminar is available through a professional courtesy provided by:



Rinnai America Corporation  
103 International Drive  
Peachtree City, GA 30269  
Telephone: (678) 829-1700  
Fax: (678) 364-8643  
Toll Free: (800) 621-9419  
Email: [marketing@rinnai.us](mailto:marketing@rinnai.us)  
Web: [www.rinnai.us](http://www.rinnai.us)

### Getting Started

Click on the start button to begin this course

**START**



# Tankless Water Heating Solutions

©2009 Rinnai America Corporation. The material contained in this course was researched, assembled, and produced by Rinnai America Corporation and remains their property. Questions or concerns about the content of this course should be directed to the program instructor.

# Tankless Water Heating Solutions

Presented By: Rinnai America Corporation  
103 International Drive  
Peachtree City, GA 30269

**Description:** Provides an overview of tankless water heating technologies, including the history, features and functions, and the energy and environmental benefits of a tankless system, as well as a discussion on how they compare to existing tank heater technology.

To ensure the accuracy of this program material, this course is valid only when listed on AEC Daily's Online Learning Center. Please [click here](#) to verify the status of this course. If the course is not displayed on the above page, it is no longer offered.



---

**The American Institute of Architects · Course No. AEC375 · This program qualifies for 1.0 HSW/SD/LU hour.**

AEC Daily Corporation is a Registered Provider with The American Institute of Architects Continuing Education Systems (AIA/CES). Credit(s) earned on completion of this program will be reported to AIA/CES for AIA members. Certificates of Completion for both AIA members and non-AIA members are available upon request. This program is registered with AIA/CES for continuing professional education. As such, it does not include content that may be deemed or construed to be an approval or endorsement by the AIA of any material of construction or any method or manner of handling, using, distributing, or dealing in any material or product. Questions related to specific materials, methods, and services will be addressed at the conclusion of this presentation.

---

This course is approved by other organizations. Please [click here](#) for details.



## EDUCATION PROVIDER

### AEC DAILY CORPORATION

is a USGBC Education Provider committed to enhancing the professional development of the building industry and LEED Professionals through high-quality continuing education programs.


As a USGBC Education Provider, we have agreed to abide by USGBC-established operational and educational criteria, and are subject to course reviews and audits for quality assurance.

**GBCI  
CMP**

Tankless Water Heating Solutions  
ID#0090003751

Approved for **1** GBCI CE Hours for LEED Professionals.

# How to use this Online Learning Course







- To **view** this course, use the **arrows** at the bottom of each slide or the up and down arrow keys on your keyboard.
- To **print or exit** the course at any time, press the **ESC** key on your keyboard. This will minimize the full-screen presentation and display the menu bar.
- Within this course is an  **exam password** that you will be required to enter in order to proceed with the online examination. Please be sure to remember or write down this **exam password** so that you have it available for the test.
- To receive a **certificate** indicating course completion, refer to the instructions at the end of the course.
- For **additional information** and post-seminar assistance, click on any of the logos and icons within a page or any of the links at the top of each page.

# Learning Objectives

Upon completing this course, you will be able to:

- explain how a tankless water heater works in comparison to other water heaters and the advantages of specifying a tankless system as part of a sustainable design strategy
- state the components, operation, and energy saving benefits of tankless water systems and the acceptable circulating methods
- describe the many environmental benefits of using a tankless water heater over other water heating technologies, and
- evaluate the design options available for tankless water heater technologies in residential and commercial applications.

# Table of Contents

 History of Water Heaters	7
 Features and Benefits of Tankless Water Heaters	14
 Tankless Technologies	31
 Tankless Water Heaters with Recirculation	65
 Residential Applications	67
 Commercial Applications	74
 Summary	84



# History of Water Heaters

## Introduction

Water heating technology has dramatically improved over the years, from the tank water heater that first appeared in the United States in 1883, to the tankless technologies available today. This course begins with a review of the history of water heaters, starting with the introduction of the first instantaneous water heater in 1901.



# History of Water Heaters

## The Jewel No. 503

Manufactured in 1901 by George M. Clark & Co. of Chicago, the Jewel No. 503 was one of the first instantaneous water heaters available. Although it came with two sets of brackets and was designed to be carried from place to place as needed, the Jewel was made of iron and weighed 40 pounds, which made transportation difficult.



The water heater was connected to cold water and a gas line from either a gas lamp or cigar lighter, both of which were common in that era. To heat the water, the gas was turned on and the burner lit.

In 1932, the first domestic gas water heater to work efficiently was the Progras instantaneous water heater. It was developed by Bernard Friedman and was introduced in Britain under the name of Ascot.



# History of Water Heaters

## Venting

Note that in the past, people thought gas fumes were of no consequence.

Not only did they not provide for venting, they made it impossible by placing a chrome piece on top of the heater.



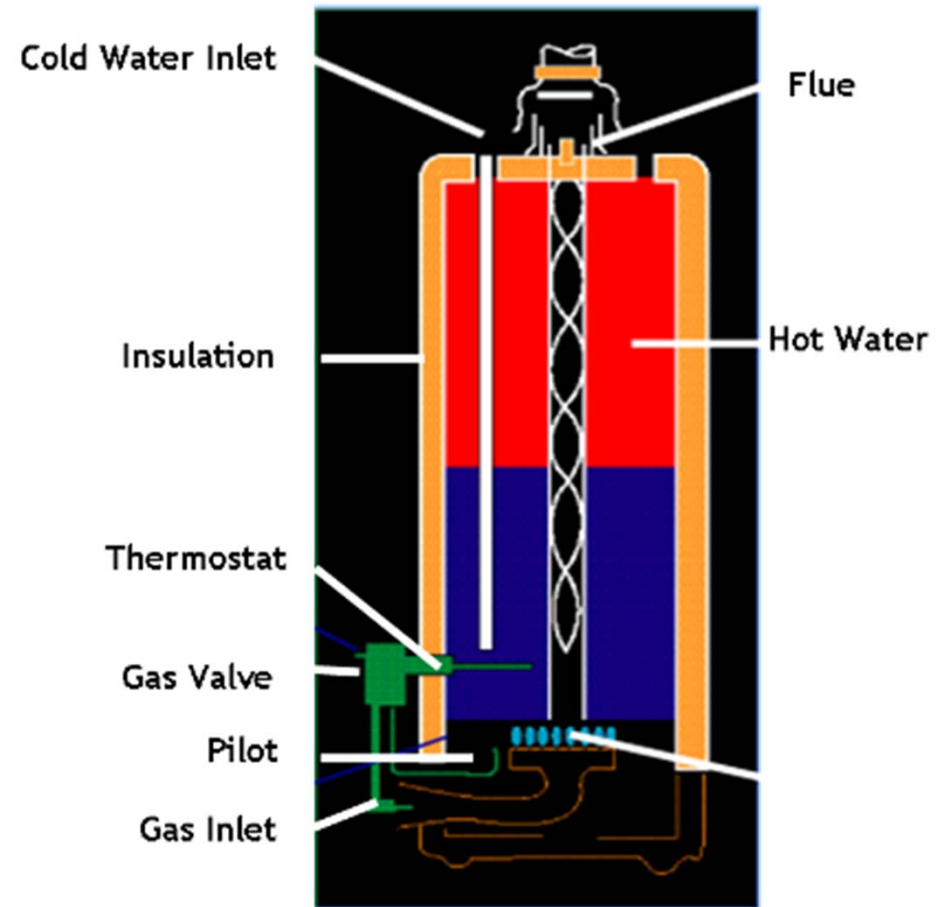
# History of Water Heaters

## Tank Heater Inefficiencies

Advancements in water heating technology led to the development of the modern tank water heater.

The components of a basic tank water heater are illustrated at right.

Although most Americans still heat their water in a tank with a flame under the bottom, this method heats the water all day, wasting a significant amount of energy.



# History of Water Heaters

## Tank Heater Inefficiencies

As well, many of the same problems that existed with the first tank water heaters are still problematic today.

For example, many tank water heaters are still unable to fill most large tubs installed in homes today and cannot provide back-to-back showers in many cases.

With a broad temperature range, tank water heaters can be very inefficient, many being 0.59 EF (Energy Factor) or less, and they are required to operate around the clock to maintain a set temperature range.

Plus, every time a tap is opened for ten seconds, cold water is diluting the hot water that was just heated by as much as 25 percent.

# History of Water Heaters

## Tank Heater Inefficiencies

Also, not only do standard tanks empty quickly, but they have approximately 70 percent usable capacity (e.g., 40 gallon tank = 28 gallons).

Tank water heaters typically heat water to a factory preset temperature. When using hot water at a fixture, cold water is needed to temper or reduce the water temperature to an acceptable level. As the hot water is depleted from the tank, the fixture has to be adjusted to increase the amount of hot water exiting the fixture.

Lastly, tank-style water heaters are one of the leading causes of damage and accidents in homes today.

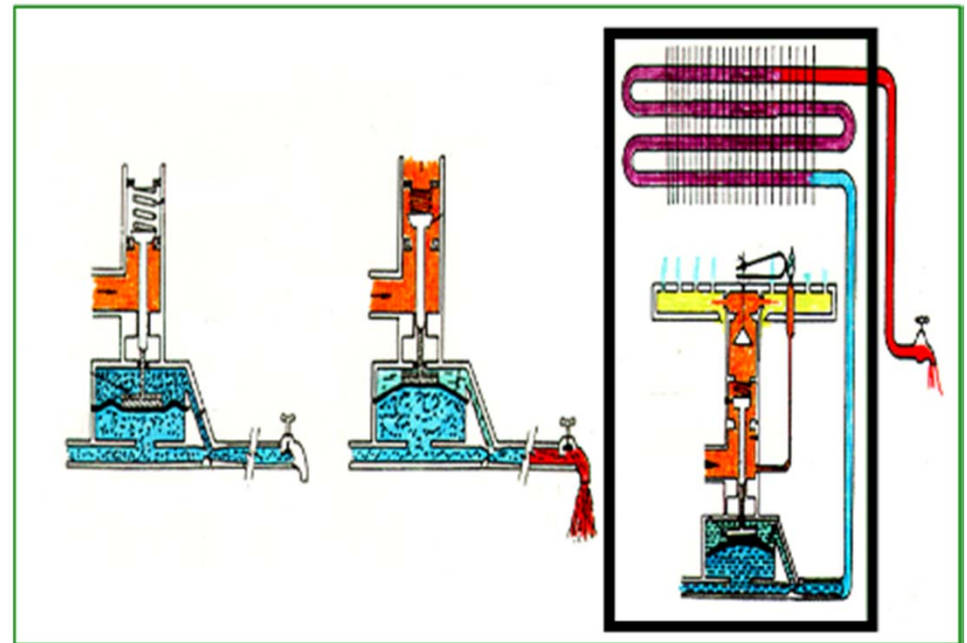
# History of Water Heaters

## Old Technology: Tankless Gas Water Heaters

The early gas water heaters could provide an endless supply of flowing hot water, but with limited control.

These old tankless water heaters had a very limited flow rate that would only allow for the heating of water for one fixture at a time.

The early gas instantaneous water heaters are similar to electric tankless water heaters seen today.



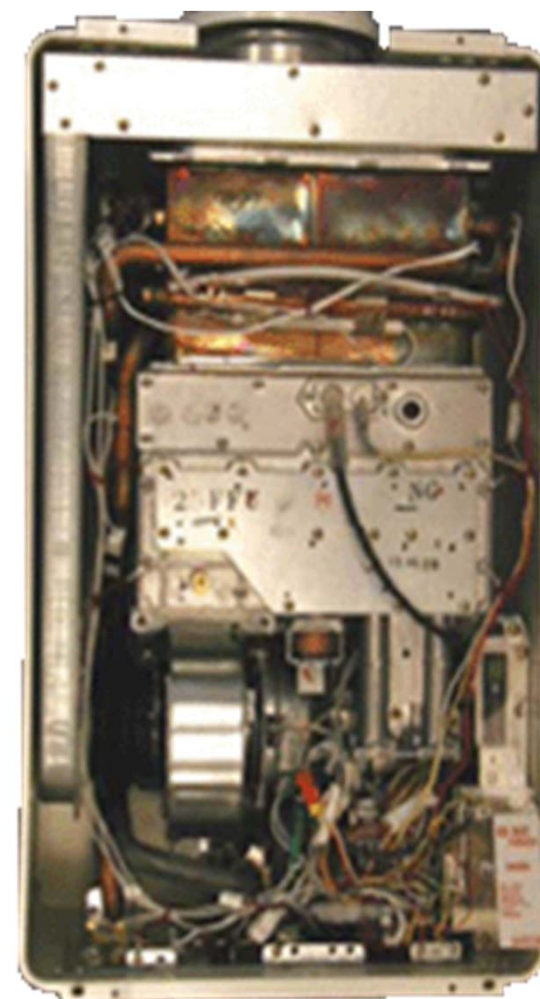
# Features and Benefits of Tankless Water Heaters

## Introduction

### Why consider tankless?

- Energy savings/space savings
- Green features
- Lower operating costs
- Tax incentives – 30% up to \$1,500 for residential customers through 2010
- Ease of installation and maintenance
- Low noise levels (under 49 dBs)
- Safer water temperatures
- Some provide no combustion air concerns
- Note that tankless units are available with freeze protection

In this section of the course, a discussion of the features and benefits of tankless water heaters is presented, beginning with a review of the energy factor.





# Features and Benefits of Tankless Water Heaters

## Energy Factor

The energy factor (EF) indicates a water heater's overall energy efficiency based on the amount of hot water produced per unit of fuel consumed over a typical day. This includes:

- recovery efficiency:
  - how efficiently the heat from the energy source is transferred to the water
- standby losses:
  - the percentage of heat loss per hour from the stored water compared to the heat content of the water (water heaters with storage tanks), and
- cycling losses:
  - the amount of heat that is lost as the water circulates through a water heater tank, or inlet and outlet pipes.

Source: [www.energysavers.gov](http://www.energysavers.gov)

# Features and Benefits of Tankless Water Heaters

## Energy Factor

The higher the energy factor, the more efficient the water heater.

However, higher energy factor values don't always mean lower annual operating costs, especially when fuel sources are compared.

It is recommended not to choose a water heater model solely on its energy factor. When selecting a water heater, it's also important to consider size of the heater, what type of fuel it uses, the overall cost, and the first hour rating.

All of these considerations will be explored in greater detail further in the course.

Source: [www.energysavers.gov](http://www.energysavers.gov)

# Features and Benefits of Tankless Water Heaters

## Energy Issues

Natural gas is a primary fuel source for generating electricity at electric power plants. With rising demands for electricity, the need for utilizing energy responsibly is critical to our way of life more than ever before.

### **From 2000 – 2006:**

U.S. LNG (Liquefied Natural Gas) imports:                   ↑ 273%

Natural gas use in electric power generation:           ↑ 21.5%

According to the Federal Energy Information Administration: “America will need 34 percent more energy from all sources by 2030. That means using the energy we have more wisely.”

Consequently, energy security is now an issue alongside personal financial and environmental security.

# Features and Benefits of Tankless Water Heaters

## Gas Tank Water Heaters vs. Tankless Units

The water heater is the third largest consumer of energy in the home; the furnace and air conditioner are #1 and #2 respectively.

The Department of Energy (DOE) estimates that 23-28 percent of the average home's energy bill is associated with heating water.

In terms of energy efficiency (EF), gas tank water heaters are very inefficient compared to tankless units. A gas tank-style water heater on the first day of use has an EF between 0.59 and 0.62. However, after a few years of operation, a tank water heater rating can be less than .50 EF.

Gas tankless water heaters, on the other hand, have an EF between 0.80 and 0.93. This is an EF gain of 33 percent compared to tank systems, which is particularly significant when considering national implications.

# Features and Benefits of Tankless Water Heaters

## National Implications

Sixty million gas storage water heaters are estimated to be in use with efficiency less than 60 percent.

Out of this 60 million, 42 million families use electric storage water heaters to meet their home hot water needs. Electricity is a two to three times less efficient method of heating water versus gas.

Approximately 10,000,000 tank water heaters are sold each year. Of those, 80 percent are replacement heaters and 20 percent are due to new construction.

Consequently, purchasing gas and electric tank style water heaters is a vicious cycle of inefficiency which majorly contributes to the energy crisis.

# Features and Benefits of Tankless Water Heaters

## Tank Water Heaters (The Old Way)

Energy Factor	48% - 62% (Average)
Recovery Efficiency	0.76 to 0.82
1 <sup>ST</sup> Hour Rating	<b>30 – 100 gallons</b>
Life Expectancy	5-13 years (Average 9)
Warranty	3-10 years Average
Ignition	Standing Pilot
Safety Devices	Thermocouple

### Gas Consumption

- Pilot is constantly using gas
- Every time hot water is used, the end user is paying to **Re-Heat** the several gallons of water remaining inside
- When a tap is turned on for even 10 seconds, cold water is diluting the hot water you just paid to heat by as much as 25%



## Tankless (The Future)

Energy Factor	80% - 87% (Title 24 Compliant)
Recovery Efficiency	Continuous Flow (No Recovery Needed)
1 <sup>ST</sup> Hour Rating	<b>Never Ending Supply</b> (However 1 unit can do up to 510 GPH)
Life Expectancy	20+ Years (All Parts Replaceable)
Warranty	12 Years Heat Exchanger, 5 Parts, 1 Labor
Ignition	Electronic Ignition – No Standing Pilot
Safety Devices	Over 1 Dozen Safety Devices (All Monitored by Computer)

### Gas Consumption

- Gas is only used when hot water is demanded
- When fixture ( s ) are shut off, unit returns to the standby mode.
- Fully Modulating Gas valve uses only the gas needed to heat the water





# Features and Benefits of Tankless Water Heaters

## Green Advantages

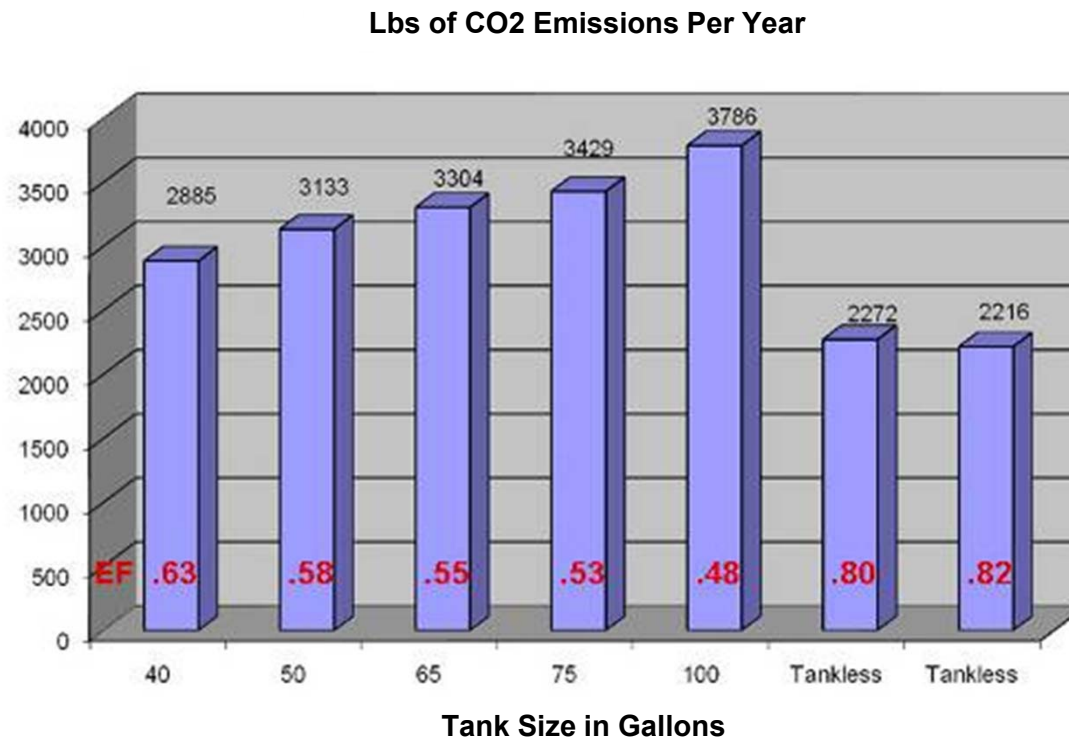
Tankless water heater systems have many green advantages:

- Tankless units save 30 to 50 percent on the amount of energy it takes to heat water over conventional tank water heaters.
- Tankless water heaters have a life expectancy of up to 20 years, which is two times that of a standard tank type water heater.
- All components of many tankless water heaters are replaceable, unlike standard tank water heaters that are typically replaced when they fail or leak.
- 95 percent of many tankless components are recyclable, and
- Tankless water heaters produce very low NO<sub>x</sub> and CO<sub>2</sub> emissions, making them environmentally sound gas appliances.

# Features and Benefits of Tankless Water Heaters

## CO<sub>2</sub> Emissions

CO<sub>2</sub> emissions increase as the EF of a unit is reduced, as indicated in the graph below that compares the pounds of annual CO<sub>2</sub> emissions from various sizes of tank water heaters versus tankless systems. Therefore, the EF of a unit is important not only in terms of energy consumption and cost, but also as it relates to CO<sub>2</sub> emissions.



# Features and Benefits of Tankless Water Heaters

## ENERGY STAR®

Residential water heaters are now eligible for the ENERGY STAR® label.

Effective January 1, 2009, whole-home gas tankless water heaters which carry the ENERGY STAR® label must have a minimum EF of 0.82, minimum gallons-per-minute flow of 2.5 at a 77 degrees Fahrenheit rise, or be 41.4 percent more efficient than the current Federal standard.



Note: All ENERGY STAR tankless water heaters qualify for the Existing Home Energy Efficiency Improvement Tax Credit (maximum \$1,500). These tax credits have been extended through 2010 and apply to the taxpayer's principal residence.

# Features and Benefits of Tankless Water Heaters

## Water Heater Disposal

The disposal of water tanks in the U.S. creates an extreme pressure on landfills and the environment.

However, tankless water heaters are one-third the size of tank heaters and have twice the life expectancy.

Therefore, tankless water heaters could cut the landfill disposal frequency of water heaters in half, and substantially reduce the landfill volume.

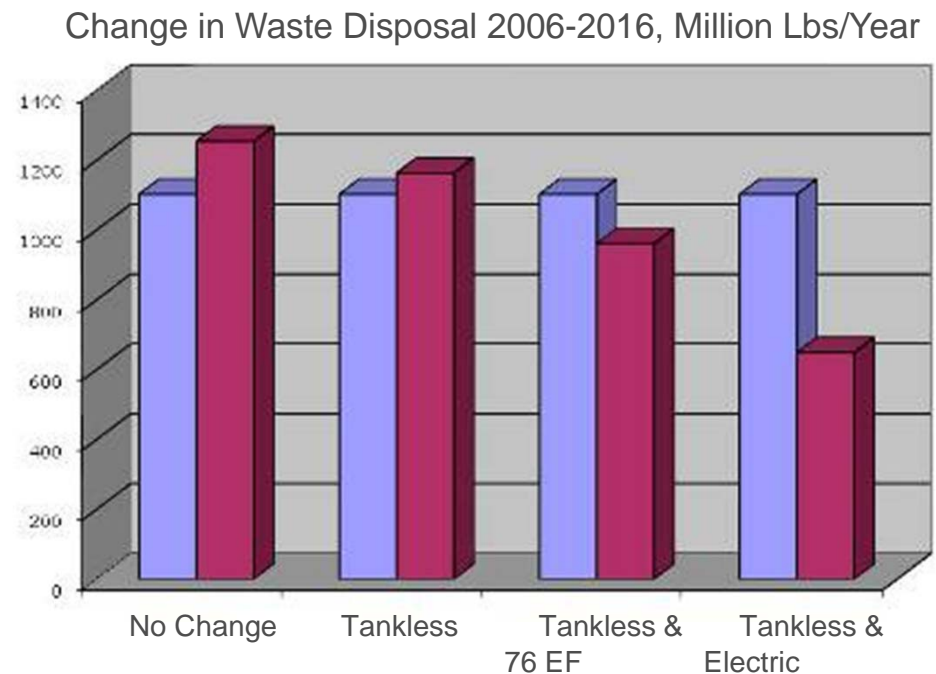


# Features and Benefits of Tankless Water Heaters

## Water Heater Disposal

In fact, this graph illustrates that over a ten year period, reduction on landfill load just from water heaters would reduce by approximately 600 million pounds.

- **Storage Hot Water Tank:**
  - Life: 8 to 13 years
  - Weight: 130 lbs. at time of disposal
- **Tankless Water Heater:**
  - Life: 20+ years
  - Weight: 45 lbs. at time of disposal
  - Note: 75% of the weight is valuable recyclable material i.e., copper/stainless steel.



# Features and Benefits of Tankless Water Heaters

## Initial Costs and Operating Costs

The initial costs of tankless units are two to three times more than 40-gallon self-installed tanks, but nearly break even on a 50- or 75-gallon installation by a plumber. Also, they are often less expensive than a commercial tank or commercial boiler.

In terms of operating costs, 20 to 50% savings can be realized using a tankless unit, depending on energy source and operation.





# Features and Benefits of Tankless Water Heaters

## Space Savings

Tankless water heaters provide opportunities for space savings.

Unlike tank installations that require large amounts of floor space, tankless units are vertically mounted, freeing up valuable space for other applications.

Tankless units can be installed in:

- closets
- attics
- crawl spaces
- rooftops, outdoor locations, and
- garages and confined areas.



# Features and Benefits of Tankless Water Heaters

## Exterior Models / Recessed Applications

A major installation advantage of tankless units is the availability of exterior models (top image) and recessed applications (lower image). Exterior models may be mounted on an exterior wall of the home or on the rooftop.

Recessed units protect the appliance from wind, weather, and unwanted tampering. They are available with an integrated, seamless moisture seal flange for easy installation and maximum protection from moisture infiltration.

The recessed heaters include a lock ring for increased security against theft and damage and are available in many corrosion and rust resistant materials.



# Features and Benefits of Tankless Water Heaters

## Ease of Installation

Installation has been made easier by some tankless manufacturers by the development of a wall thimble and template.

The template is included with the thimble to provide guidelines for gas, water, and power connections.



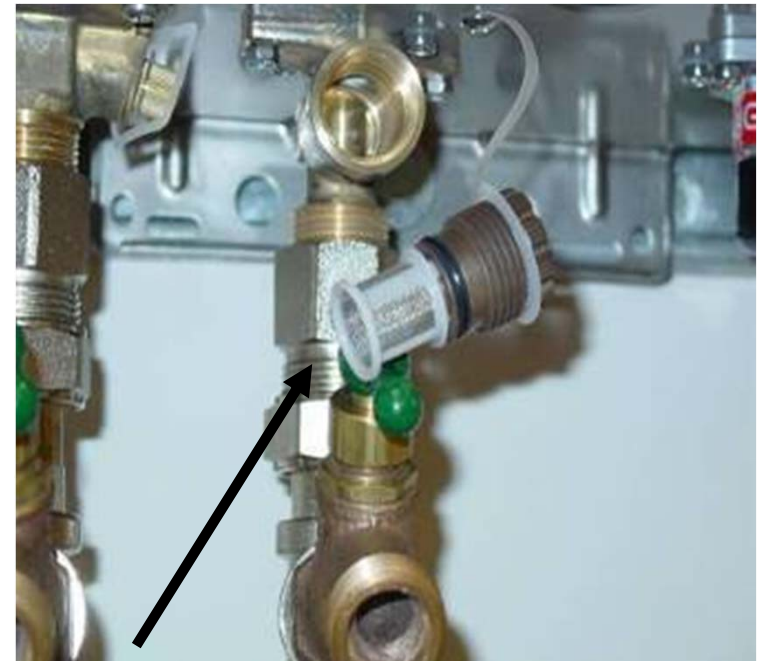
# Features and Benefits of Tankless Water Heaters

## Ease of Maintenance

Recommended annually is the visual inspection of the water heater compartment, burner, and venting.

Most tankless water heaters include a filter on the cold inlet connection. It is recommended that the inlet water filter be cleaned prior to initial use and annually thereafter. If the owner experiences a problem with low hot water flow, this would be the first thing to check.

Some manufacturers provide a warning code on the controller that indicates when flushing is required. An authorized service professional can flush the heat exchanger in approximately one hour.



Water Filter - Before removing the filter for cleaning, ensure the water is turned off and the system has been drained by opening a hot water tap.

# Tankless Technologies

## Introduction

Innovations in technology led to the development of today's tankless units that offer an endless supply of hot water, with direct electronic ignition and fully modulating gas valves.

In this next section of the course, a review of topics pertaining to tankless systems is presented, including:

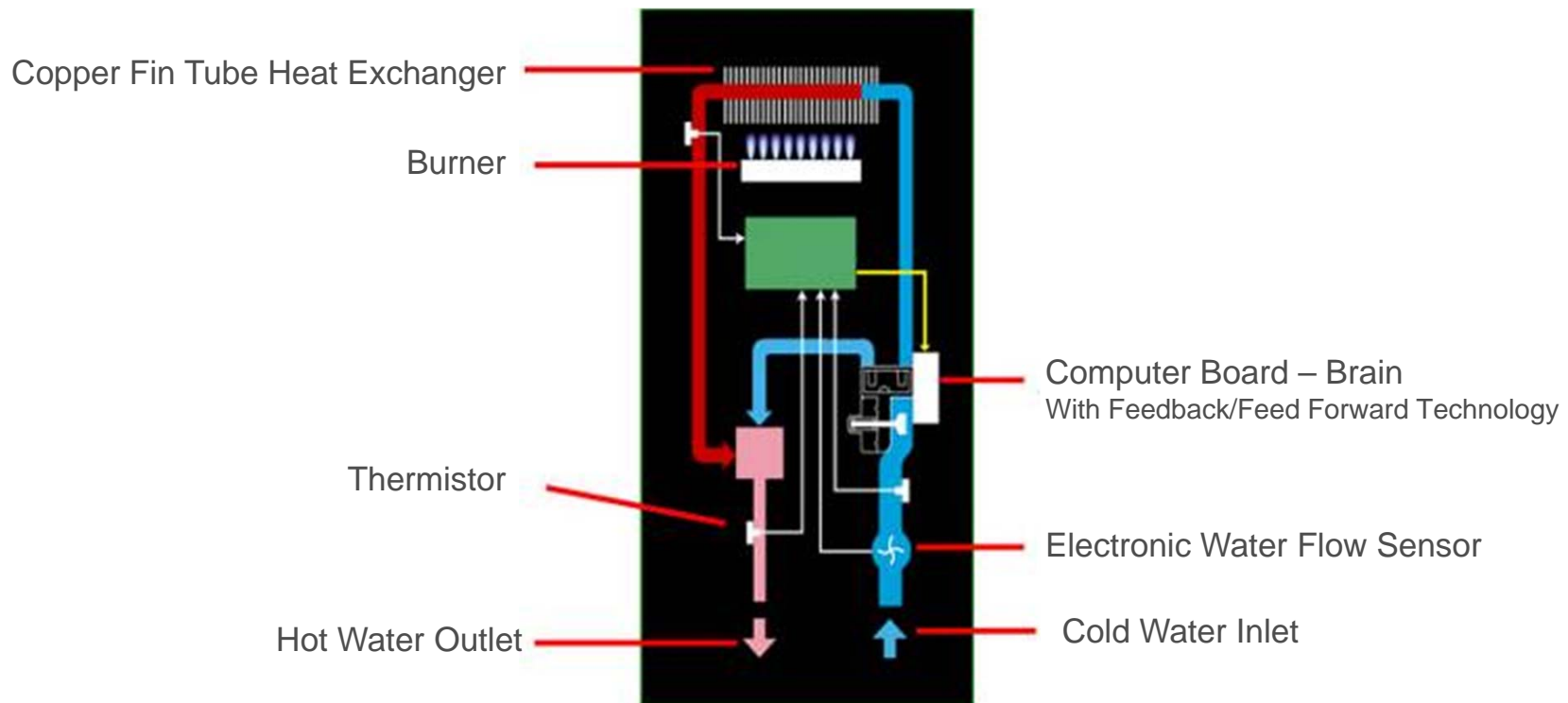
- components
- operation
- temperature controllers
- gas/water pressure requirements
- venting, and
- circulation methods.



# Tankless Technologies

## Components

Below is a diagram of a basic tankless water heater with labeled components. A description of how this type of system functions is presented on subsequent slides.





# Tankless Technologies

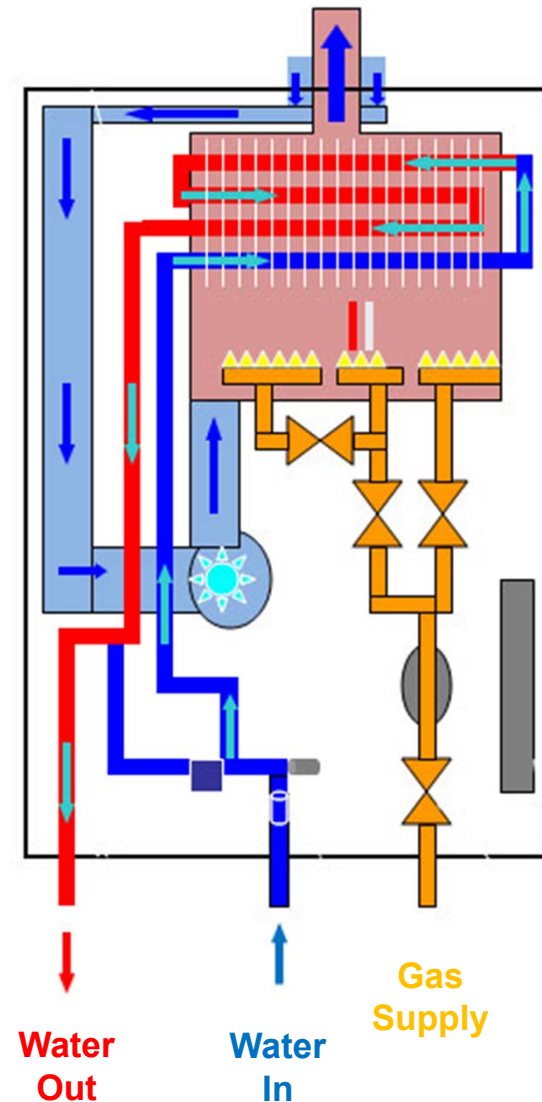
## Sequence of Operation

First, the temperature is set on the remote controller (recommended temperature is between 115-120 degrees Fahrenheit).

The hot water tap opens and water begins to flow.

Next, the turbine spins and sends a signal to the PC board via a flow sensor. The PC board determines the water flow, firing rate, and temperature of the water.

Then, the combustion fan motor starts and the burner is ignited by direct electronic ignition. Tankless units have no standing pilot.



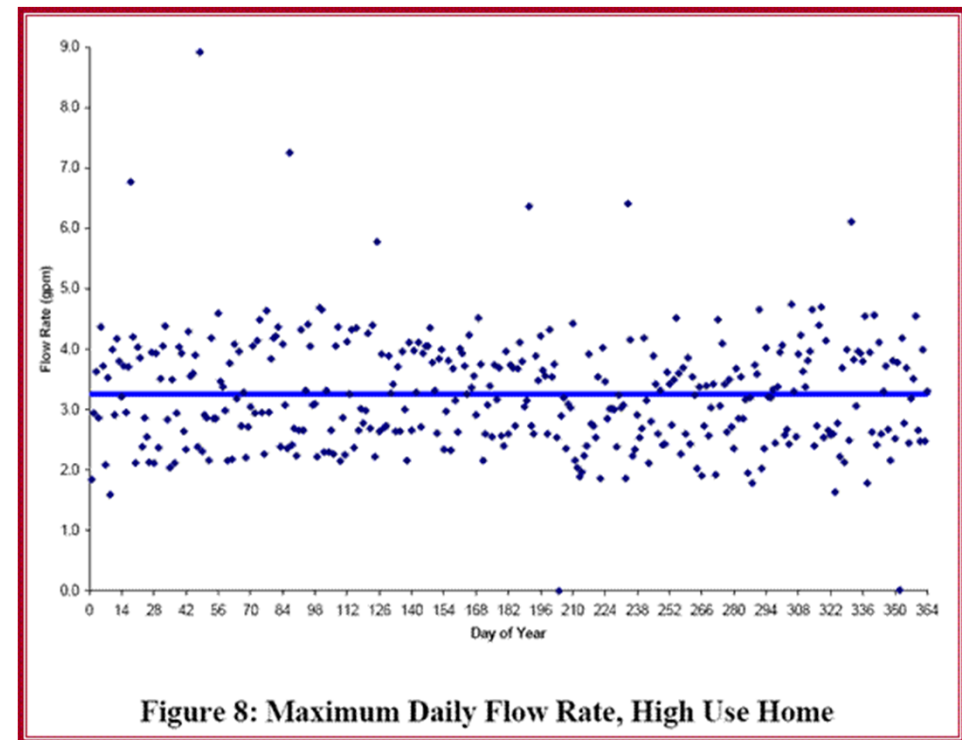


# Tankless Technologies

## Sequence of Operation

The unit fires while the flame rod senses flame in the burner. When the hot water tap is turned off, the unit returns to standby mode.

Note: When specifying tankless water heaters, look for units that have low flow requirements (i.e., 0.4 gpm flow rate to initiate the firing of the tankless water heater and 0.5 gpm to maintain operation). The maximum daily flow rate for a high-use home according to the National Association of Home Builders (NAHB) Research Center is indicated in this chart.



Source: NAHB Research Center

# Tankless Technologies

## Temperature Controllers

Some tankless water heaters include a temperature controller which provides the ability to adjust the water temperature. It also performs diagnostics and alerts the user when maintenance is required.

When fixtures are in use, the controller provides the ability to check flow rate and water temperature. Note that some units provide temperature controls within  $\pm 2$  degrees.

In many cases, indoor units include an integrated controller on the front panel, whereas outdoor units include a separate controller to be installed in an indoor location.



Integrated Controller

# Tankless Technologies

## Temperature Controllers

Many models will accept up to four temperature controllers installed in parallel in almost any combination. Here are a few examples of available controllers.



# Tankless Technologies

## Gas and Water Pressure Requirements

Gas pressure for natural and propane gas is measured in inches of water, expressed as WC (water column).

Tankless units have a gas delivery pressure range from 5 to 10.5 inches WC for natural gas, and 8 to 13.5 inches WC for propane.

The water pressure requirements for tankless heaters are 20 psig to 150 psig. Psig (pound-force per square inch gauge) is a unit of pressure relative to the surrounding atmosphere.

# Tankless Technologies

## Proper Venting

Proper venting is crucial for a successful installation. Without proper drainage or disposal, condensate that can accumulate during operation of the tankless water heater can enter the water heater and damage the heat exchanger.

Some manufacturers offer venting systems through a 3-inch pipe within the center of a 5-inch concentric air intake pipe. A concentric vent results in only one wall or roof penetration and uses no indoor make-up air. As well, it allows for installation in areas with limited space.

Furthermore, unlike some other venting systems, a concentric vent has zero clearance to combustibles. Concentric venting is offered in plastic and metal to suit various construction or code requirements.

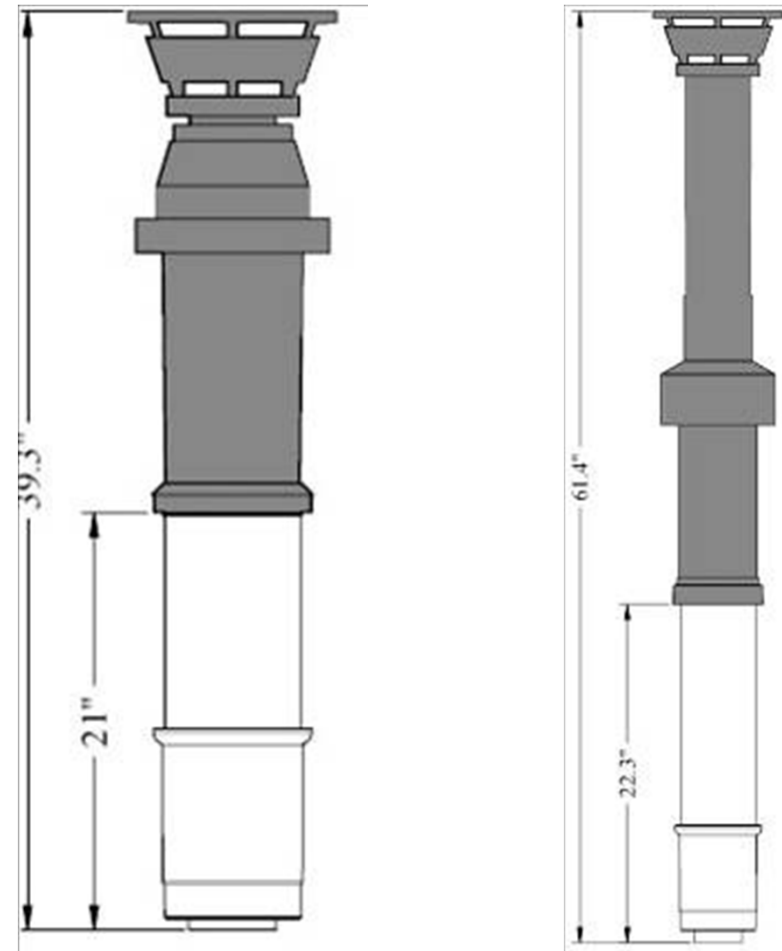
# Tankless Technologies

## Vertical Venting

Depending on the application, vertical venting could be the only way of obtaining fresh make-up air and dispensing of exhaust gases.

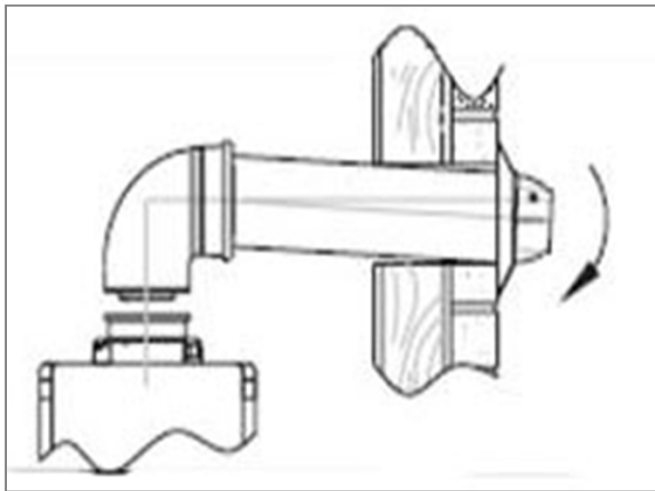
With minor modification, the existing roof vent penetration can be used to accommodate a tankless water heater's vent termination.

Examples of vertical venting options are illustrated at right.

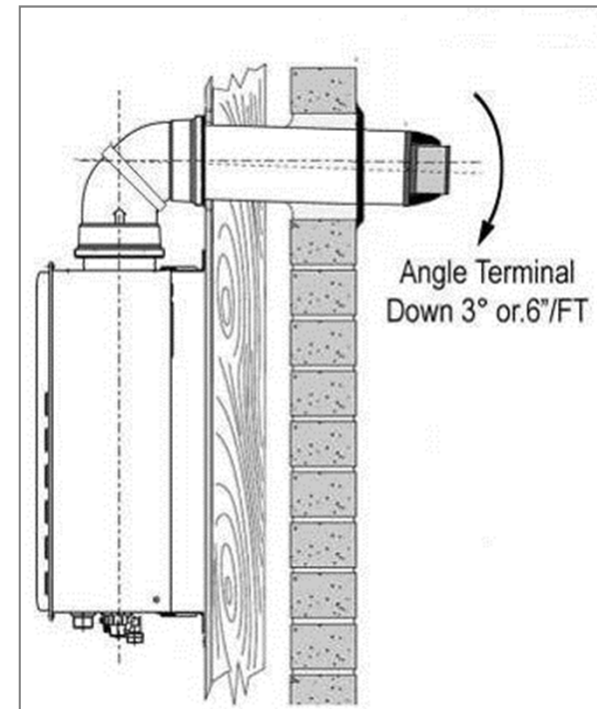


# Tankless Technologies

## Horizontal Termination: Short Run



If the condensate collector is not used, the drain pipe must be capped to prevent exhaust gases and condensate from entering the building. The cap is supplied on the appliance.



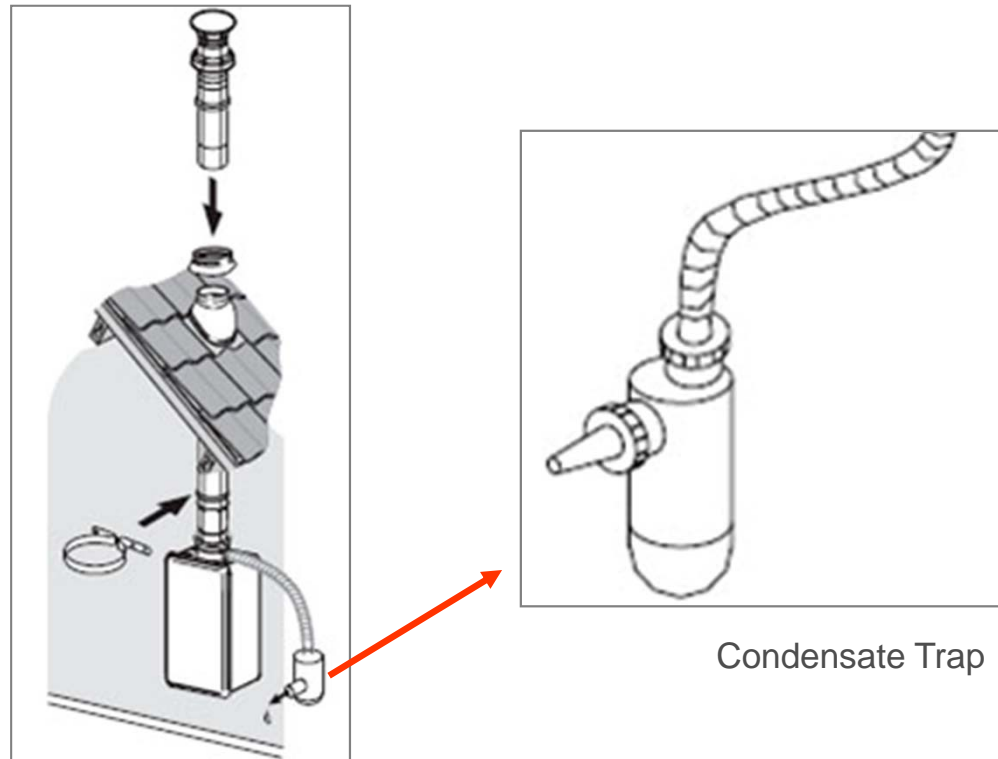
Above is a short horizontal vent termination using concentric vent pipe. Components include wall termination, horizontal discharge adapter, and two rubber wall plates. For proper installation, a 3° or .6"/FT is required to account for condensate.



# Tankless Technologies

## Condensate Trap

Longer vent runs could require the installation of a condensate trap and change in the vent angle to allow the condensate to flow back into the vent pipe, to the condensate trap and into a drain. The next slide references applications for vertical and horizontal venting with a condensate trap.



Condensate Trap

# Tankless Technologies

## Vertical / Horizontal Termination with Condensate Trap



Vertical venting with condensate trap

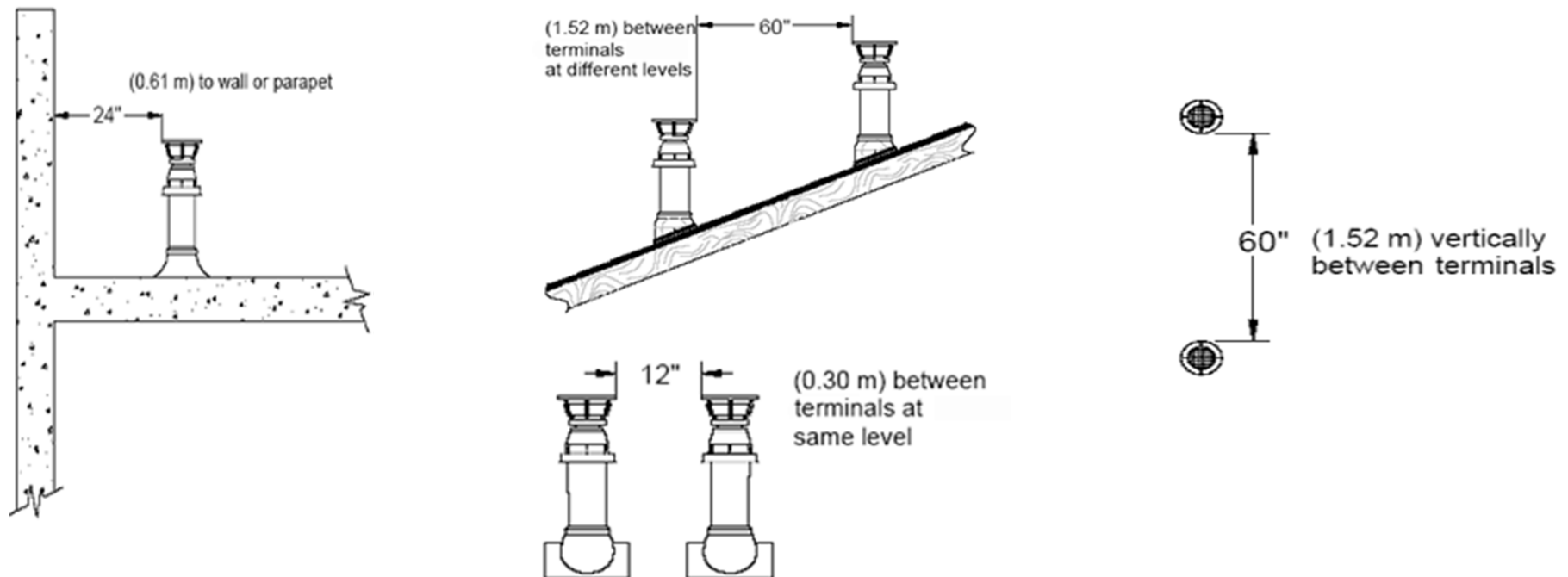


Horizontal venting with condensate trap

# Tankless Technologies

## Locating the Exhaust Vent Terminal

Venting code requirements are covered under ANSI Z223.1. Note that local codes may supersede these recommendations. Always refer to the manufacturer's installation manual for all clearances. Below are examples of manufacturer's clearance recommendations.



# Tankless Technologies

## Circulation Methods

Circulation methods of tankless water heaters vary.

This section of the course ends with a review of the acceptable circulation methods including:

- circulating through the tankless water heater
- circulating through a small tank, and
- demand type circulation systems.

# Tankless Technologies

## Circulation Through Tankless Unit

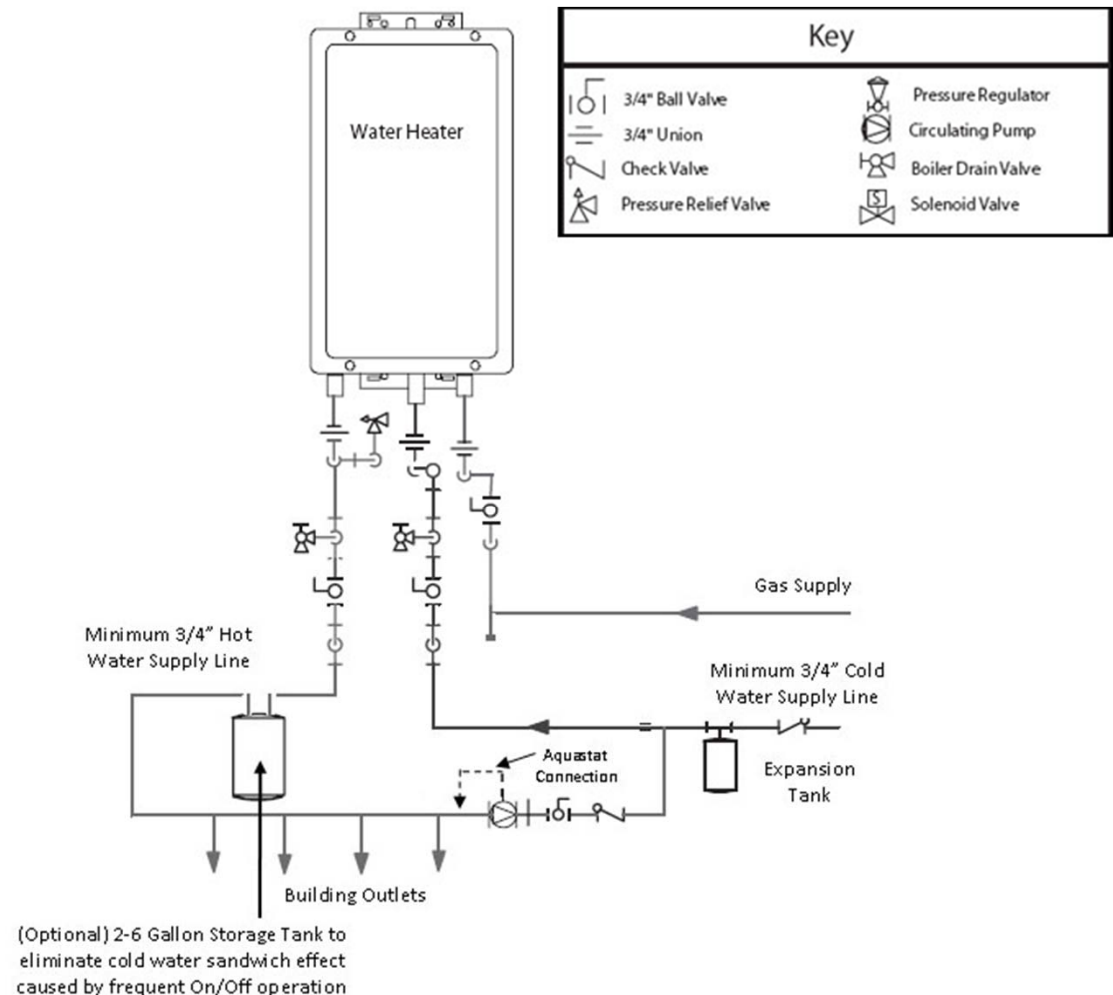
This diagram exemplifies how a residence could be plumbed using a circulation system to move hot water throughout the hot water loop by means of a storage tank, a pump, ball valve, and an aquastat (a device used to sense water temperature in the plumbing system).

For this application:

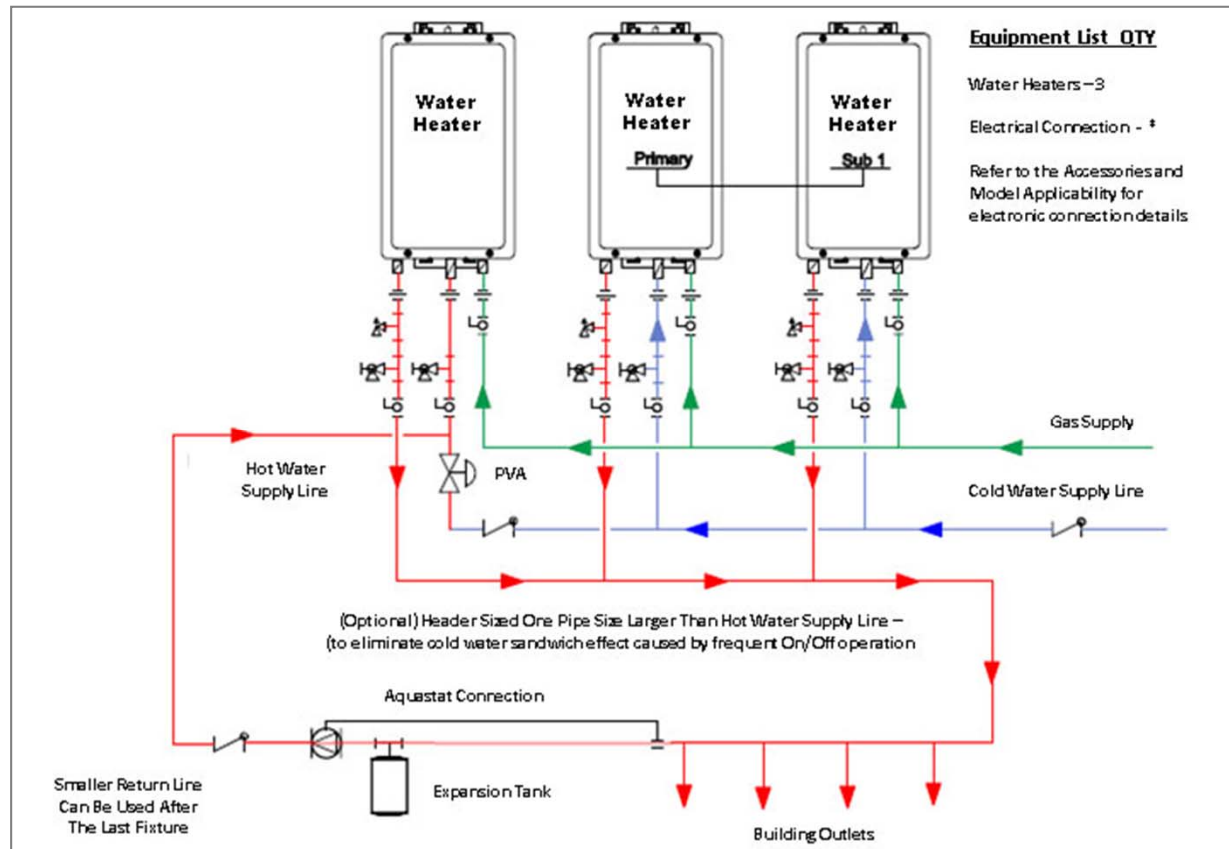
Pump to be sized to maintain circulation loop temperature. The pump should be sized to overcome the pressure loss through the tankless water heater and supply/return piping in the circulation loop. Pump to be of bronze or stainless construction.

These added components, combined with the tankless water heater, enable hot water to be at each fixture throughout the structure at any given time.

Note that this type of circulation may reduce the warranty.



# Tankless Technologies



For this application: Pump should be controlled by an aquastat, timer or combination aquastat and timer. Pump to be sized to maintain circulation loop temperature. The pump should be sized to overcome the pressure loss through the tankless water heater and supply/return piping in the circulation loop. Pump to be of bronze or stainless construction. PVA to remain at factory default setting. Circulation unit should not be connected electronically to the multiple system controller(s).

# Tankless Technologies

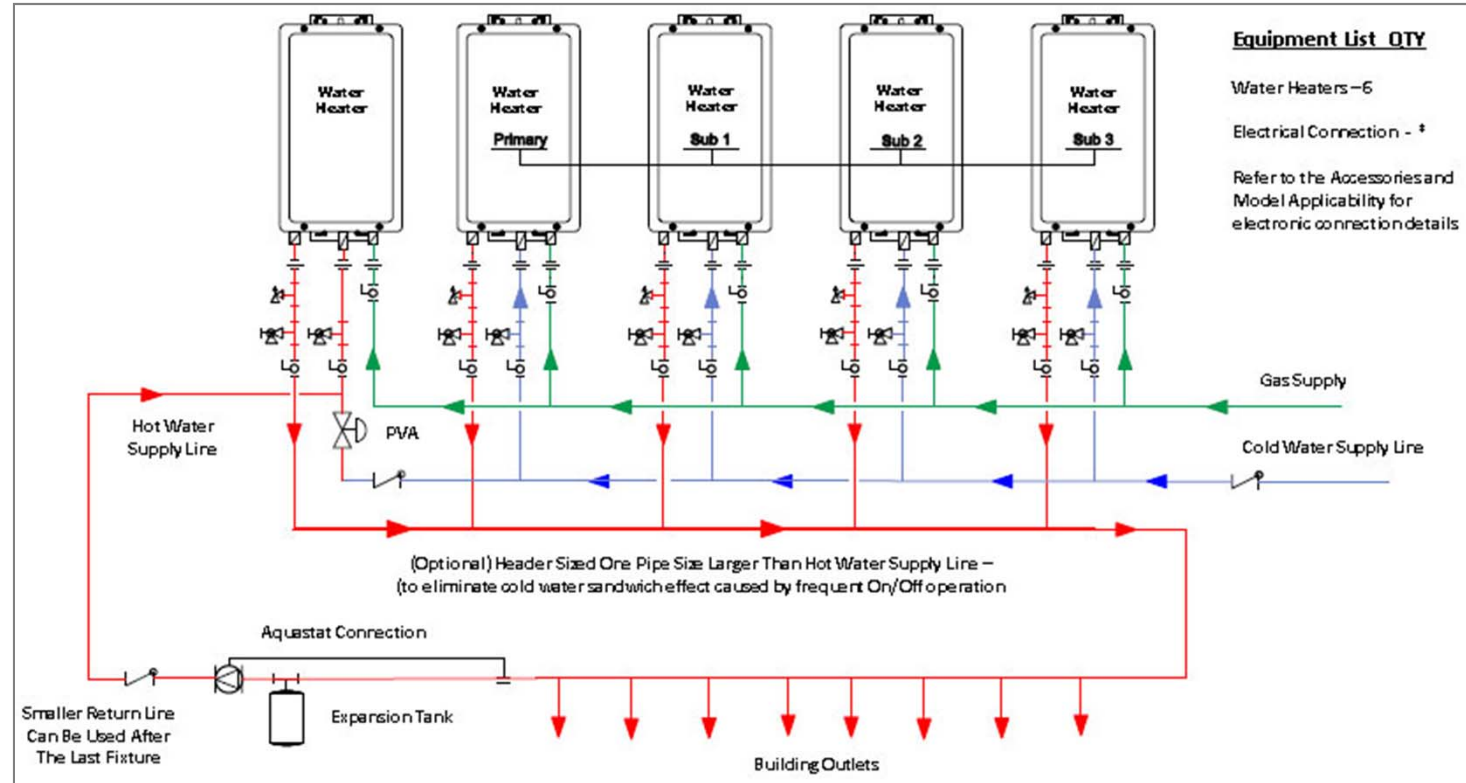
For this application:

Pump should be controlled by an aquastat, timer or combination aquastat and timer.

Pump to be sized to maintain circulation loop temperature. The pump should be sized to overcome the pressure loss through the tankless water heater and supply/return piping in the circulation loop. Pump to be of bronze or stainless construction.

PVA to remain at factory default setting.

Circulation unit should not be connected electronically to the multiple system controller(s).



Illustrated above is a typical commercial application that has a requirement for hot water at each fixture with minimal delay. Note the number of fixtures as indicated by the arrows. This is circulation through a single tankless unit. Note that warranty is maintained on the units not being recirculated through, while the first unit warranty is reduced to three years. The first unit assist with capacity when needed so the warranty is reduced on a single unit instead of the entire system. This design helps control upfront costs.



# Tankless Technologies

## Demand System

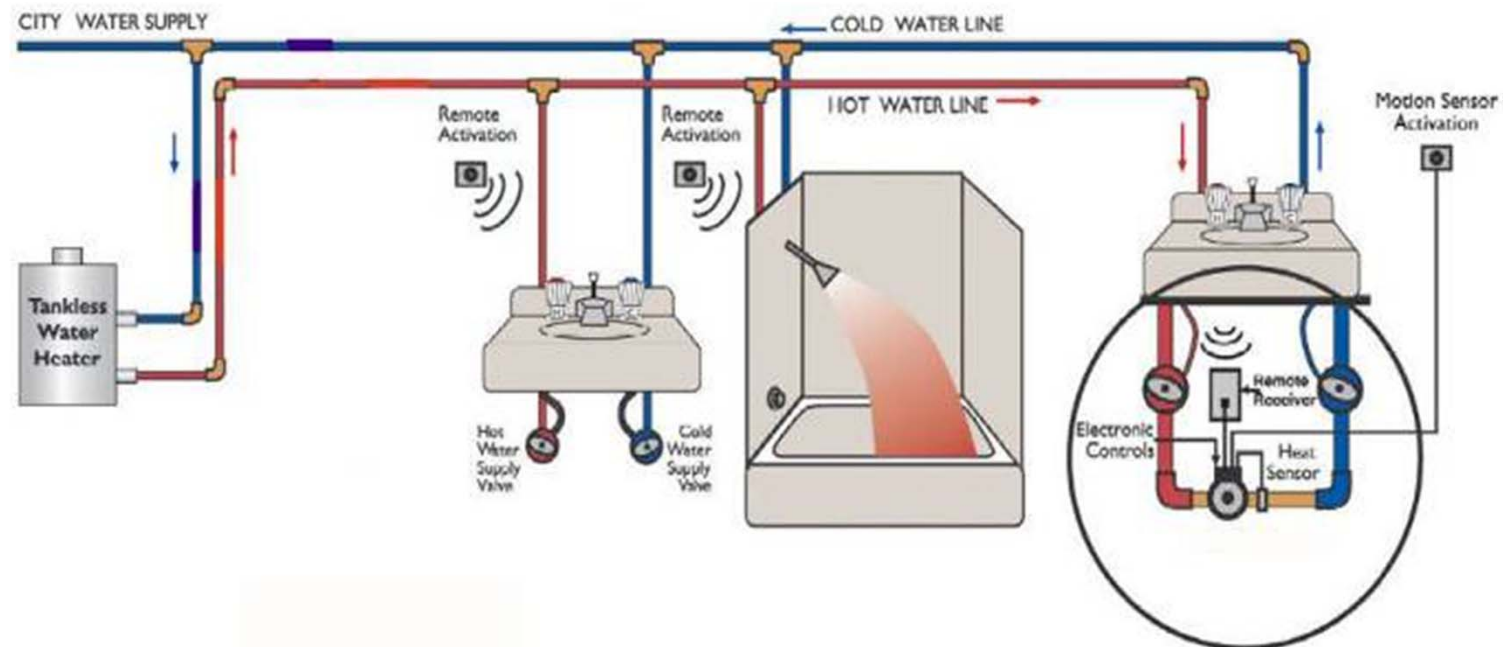


Image source: [http://www.taco-hvac.com/images/DMandSchematic2\\_lg.pdf](http://www.taco-hvac.com/images/DMandSchematic2_lg.pdf)

Demand systems consist of an electronically controlled pump that connects to the hot and cold water lines under the fixture. There are several brands of hot water demand systems available in the market. The system shown above has motion sensors in key locations that activate the tankless unit to supply hot water throughout the system. Generally, this type of setup will maintain full warranty.

# Tankless Technologies

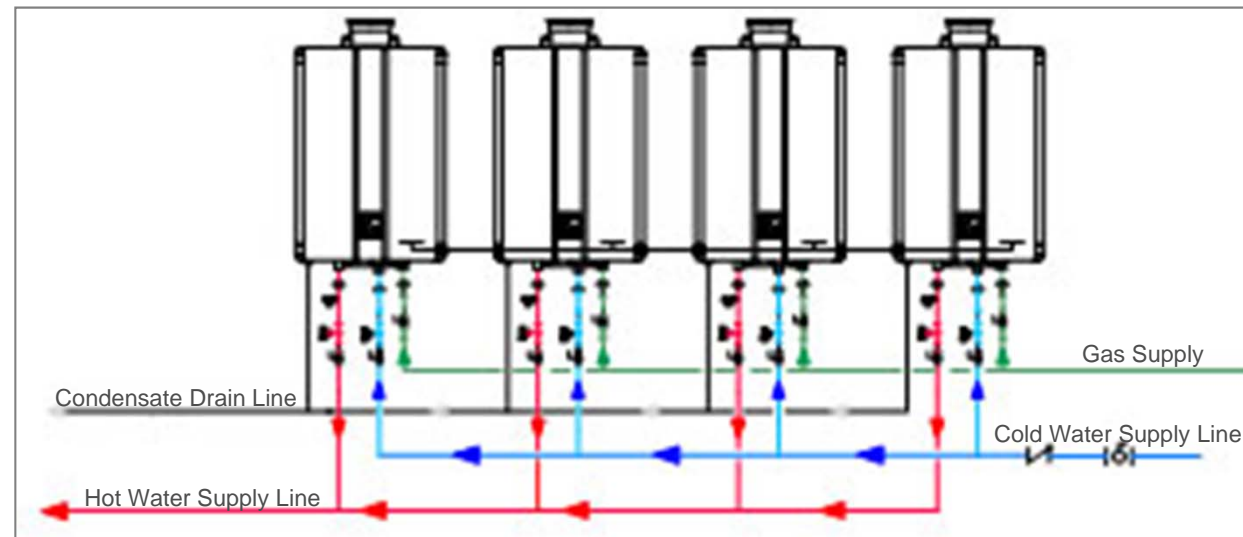
## Multiple Unit Plumbing Diagram

Note: Condensate piping shall be CPVC or PVC material and shall not be smaller than the drain connection on the appliance.

Components of the condensate drainage shall be CPVC or PVC material. All components shall be selected for the pressure and temperature rating of the installation.

Where the drain pipes from more than one unit are manifolded together for condensate drainage, the pipe or tubing shall be sized in accordance with an approved method as dictated by local codes.

Condensate must be disposed of according to local codes.



This type of application is used where a high volume of hot water is needed based on the fixture count, fixture type, and size of the structure; however, because there is not a recirculation system installed, there may be a lag time before hot water is supplied to the fixtures.

# Tankless Technologies

## Condensing Tankless Water Heaters

As a result of new technologies, condensing tankless water heaters are available in the market that deliver up to 95% thermal efficiency with an energy factor rating of .93. For even greater capacity, condensing tankless water heaters can be banked.

These units boast an industry leading activation rate of 0.4 gpm and lower minimum gas input rate of 10,000 Btu. This allows ignition for smaller amounts of water at higher incoming temperatures. Water flow deactivation is 0.3 gpm.

Delivering superior energy efficiency and performance, these new products are ENERGY STAR qualified and eligible for various utility and tax incentives.

# Tankless Technologies

## Internal and External Models

Condensing water heaters are available in natural gas and propane models and are ideal for residential and commercial installations (interior and exterior) up to 10,200 feet.



Internal Unit



External Unit

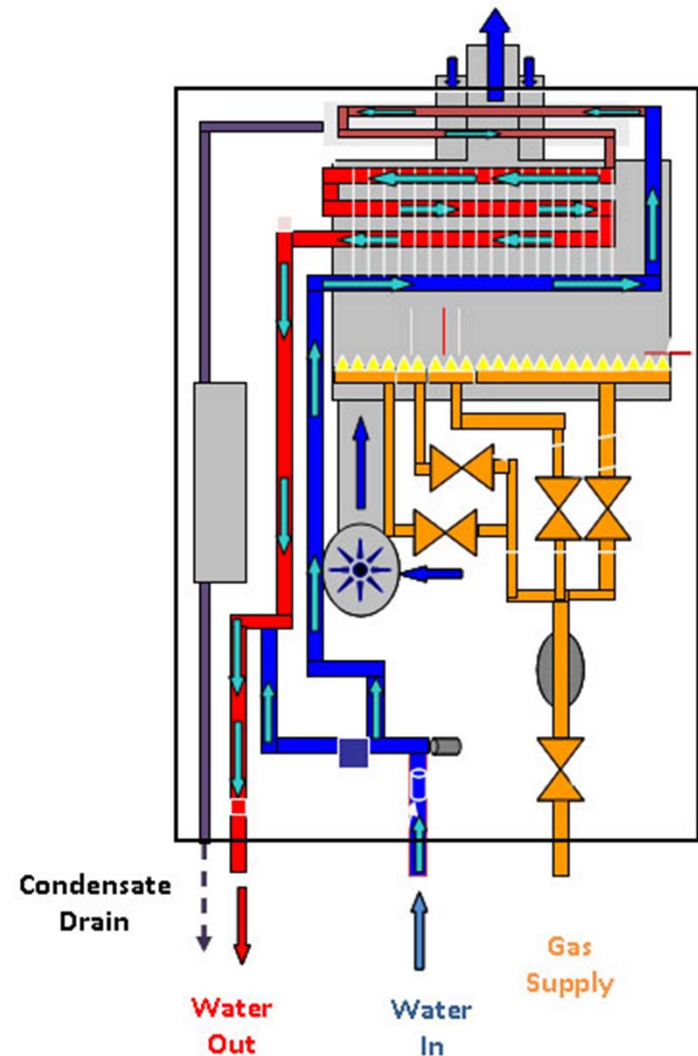
# Tankless Technologies

## Condensing Technology

How does condensing technology work?

Condensing appliances capture the extra heat (or latent heat) before it escapes into the vent system and transfers it, in the case of a water heater, into the water being heated.

Sequence of Operation: Indoor Unit



# Tankless Technologies

## Condensing Technology

Condensation occurs when the water created in the combustion process cools below the dew point. As this water vapor condenses, it combines with other combustion by-products to form an acid solution.

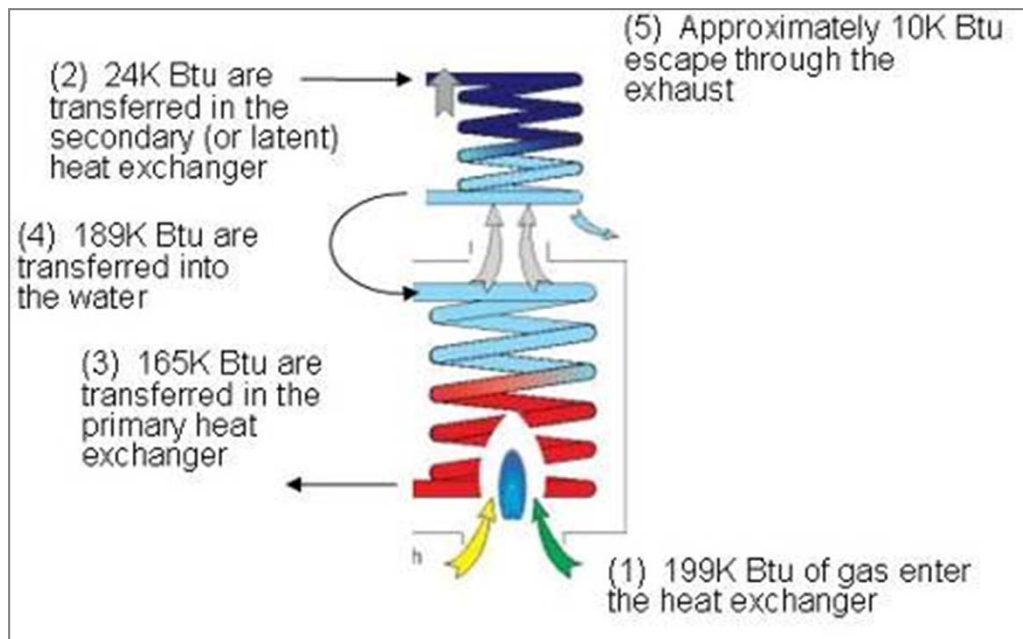
Condensing appliances are designed to properly drain this condensation.

When vented combustion occurs, there will always be some level of heat loss in the form of exhaust exiting through the vent system.

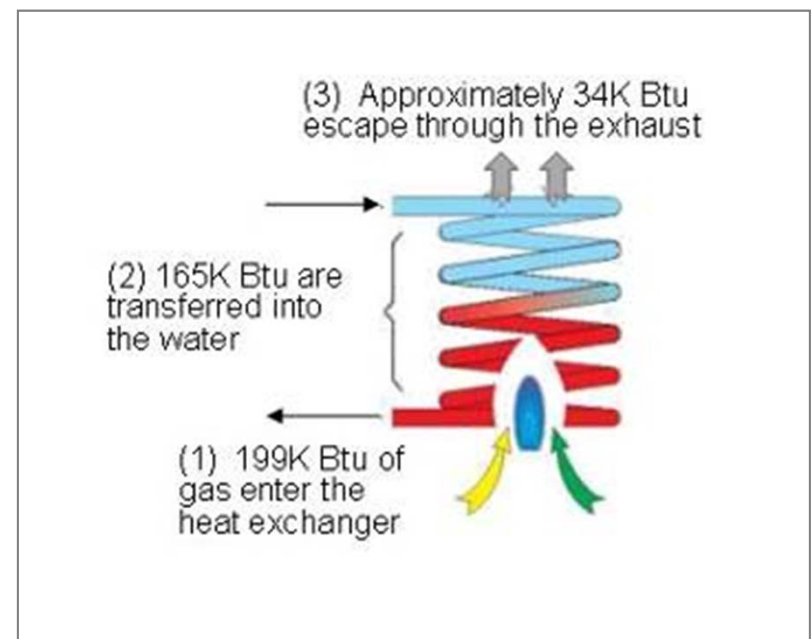
Note that the thermal efficiency of a gas-fired appliance is measured by how much heat is actually transferred to the heating medium (water, air, etc.) and how much is lost through the vent system.

# Tankless Technologies

## Condensing Technology vs. Non-Condensing Technology



Condensing Water Heater: This appliance has 95% thermal efficiency  $(24K + 165K) \div 199K = .95$



Non-Condensing Water Heater: This appliance has 83% thermal efficiency  $165K \div 199K = .83$



# Tankless Technologies

## Intake / Exhaust Guidelines

Indoor condensing water heaters are direct vent water heaters and therefore are certified and listed with the vent system. It is important that only vent components that are certified and listed with the water heater model should be used.

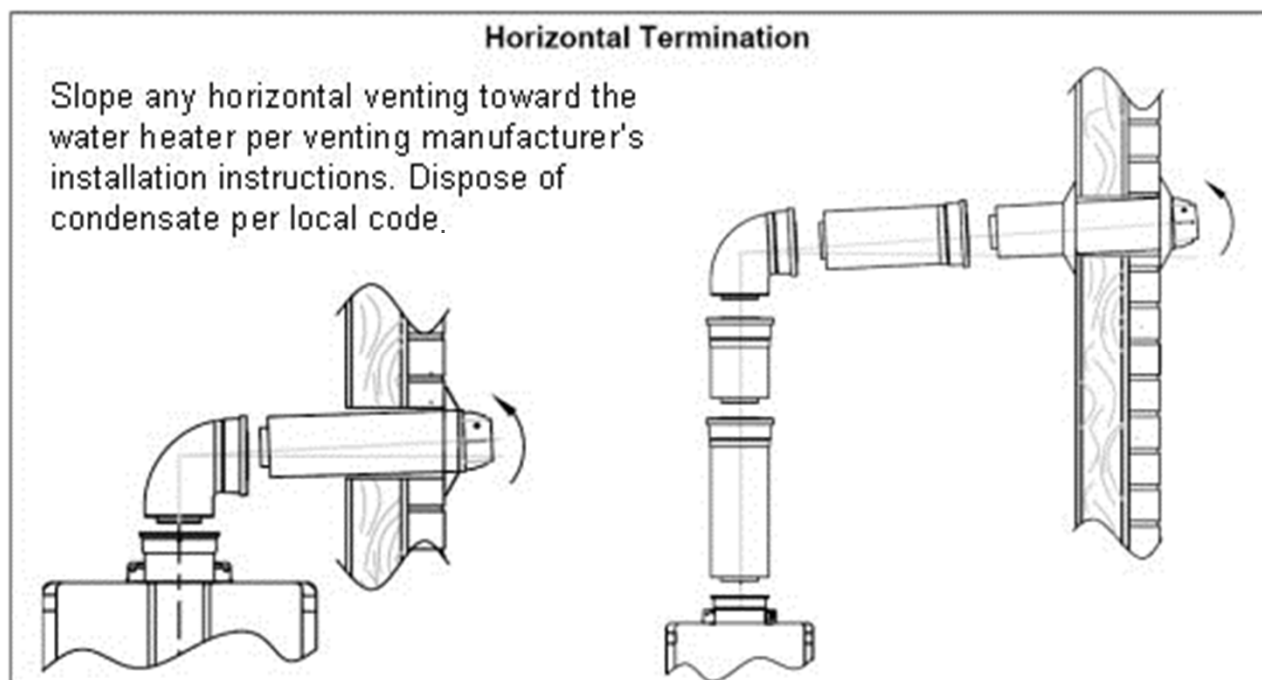
Some vent systems use gaskets to ensure all seals are secure; therefore, no gluing or cure time is required.

Ensure venting materials are compatible with the condensing water heater as some materials, such as aluminum concentric venting and Schedule 40 PVC/CPVC are not approved for use with certain manufacturer's products.

# Tankless Technologies

## Horizontal Termination

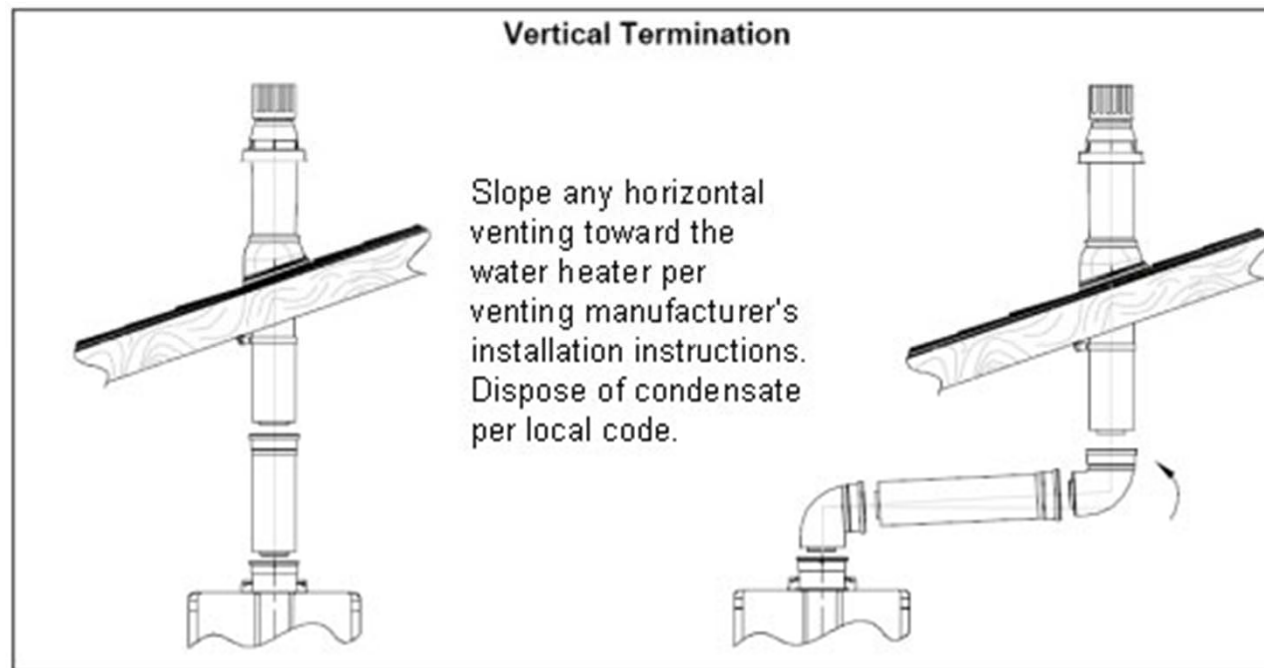
Illustrated below is a horizontal termination for a condensing tankless water heater. Note that water heaters with polypropylene venting materials require a  $\frac{3}{4}$ -inch per foot slope.



# Tankless Technologies

## Vertical Termination

A vertical termination is illustrated in this diagram. Condensing tankless water heaters have an integrated condensation trap inside the water heater; as a result, no condensation collector in the vent system is needed.



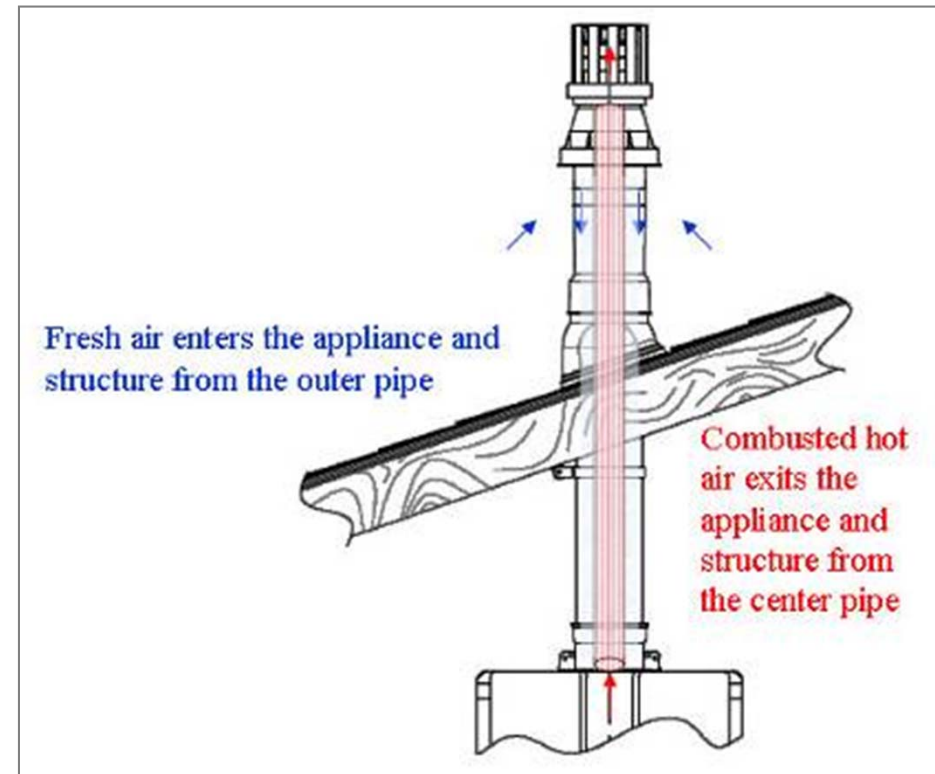
# Tankless Technologies

## Venting System

Condensing tankless water heaters use concentric venting which allows zero clearance from combustibles around vent penetrations.

### Cautions:

- Do not connect the venting system with an existing vent or chimney.
- Do not common vent with the vent pipe of any other water heater or appliance, and
- Do not use a Class B vent.



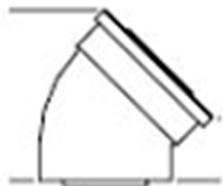
Example of a balanced flue system. The incoming air keeps the pipe cool, allowing zero clearance for the venting system.

# Tankless Technologies

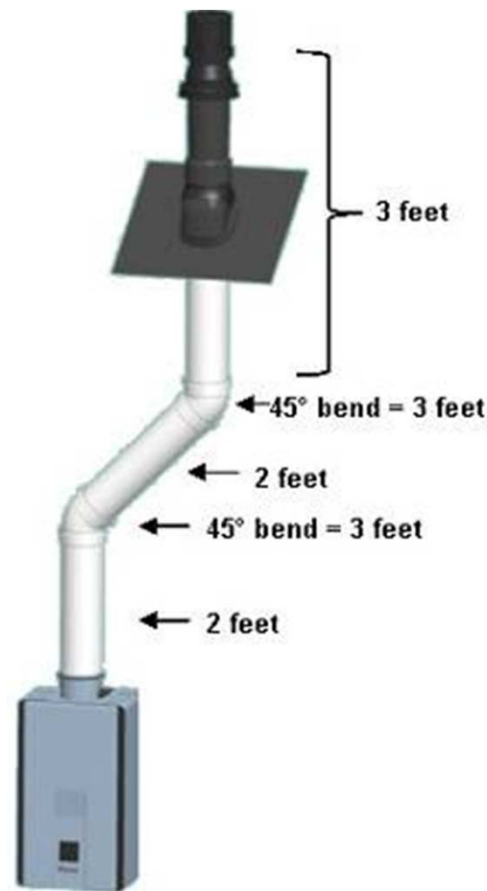
## Indoor - Air Intake and Exhaust Vent Pipe Length



Each 90° bend is equivalent to 6 feet of vent pipe



Each 45° bend is equivalent to 3 feet of vent pipe



### Vent Length Calculator

Total equivalency cannot exceed 41 feet.

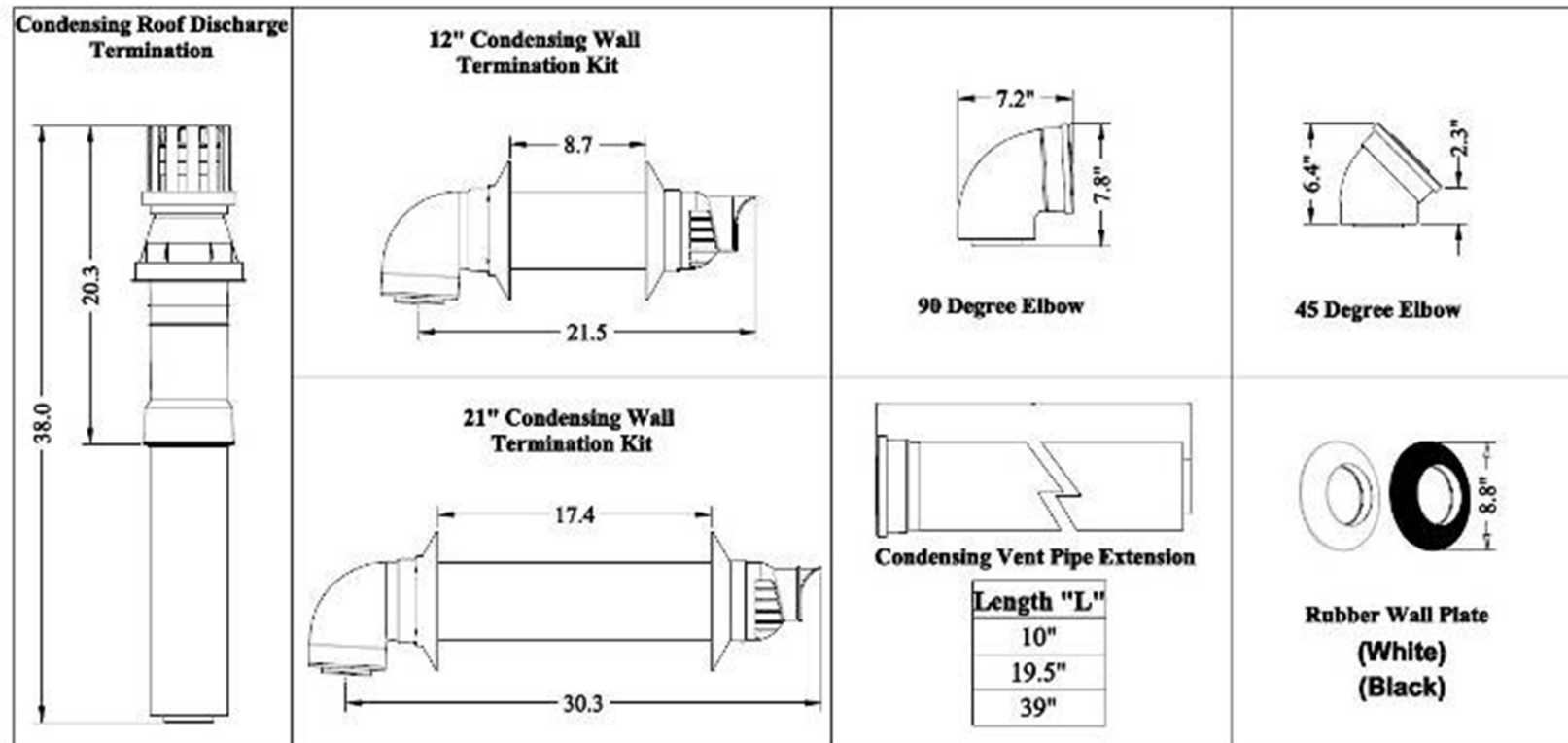
Add the total length of all vent pipe and the equivalency of all bends.

In this example:

3' (termination)  
 +3' (bend)  
 +2' (extension)  
 +3' (bend)  
+2' (extension)  
**13-foot equivalency**

# Tankless Technologies

## Condensing Concentric Venting Parts

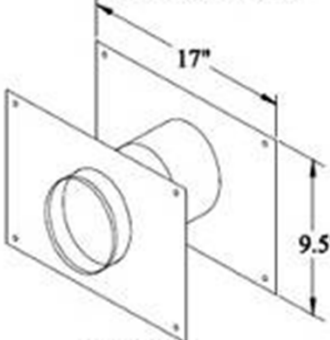
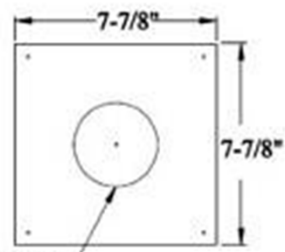
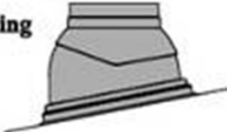
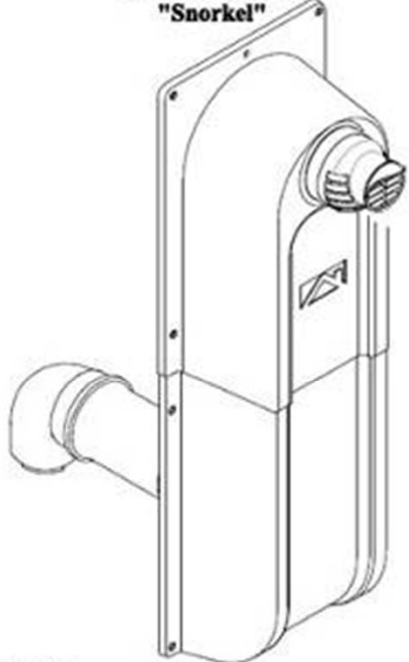

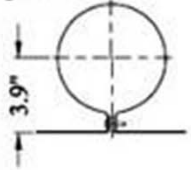
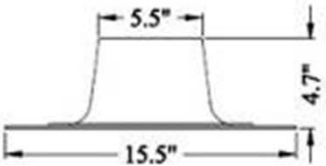



The above vent component examples contain a polypropylene exhaust, and although they are compatible with aluminum exhaust venting, they should never be interchanged.

Note: Check manufacturer's recommendations as using incorrect or unapproved venting can void the manufacturer's warranty.

# Tankless Technologies

## Condensing Concentric Venting Parts

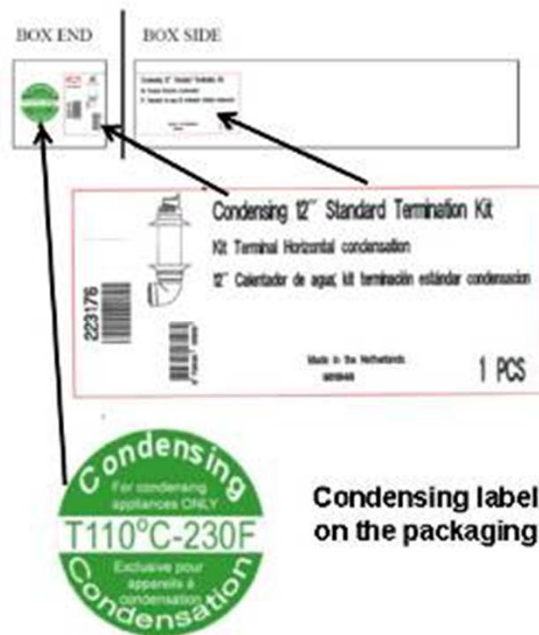
<p>• Fits 2x4 or 2x6 Wall Construction</p>  <p><b>Thimble</b></p>	 <p><b>Metal Pass Through Plate</b></p>	<p><b>Roof Flashing</b></p>  <table border="1"> <tr> <th>Roof Pitch</th> </tr> <tr> <td>1/12 to 6/12</td> </tr> <tr> <td>6/12 to 12/12</td> </tr> <tr> <td>8/12 to 16/12</td> </tr> </table>	Roof Pitch	1/12 to 6/12	6/12 to 12/12	8/12 to 16/12	<p><b>Condensing Raised Horizontal Termination Kit "Snorkel"</b></p>  <p><b>Kit Includes:</b>          14.2" Vent extension, Qty 3 - 90° Elbow, Telescopic vent extension, 19.5" Vent pipe extension, Special wall terminal, Cover</p>
Roof Pitch							
1/12 to 6/12							
6/12 to 12/12							
8/12 to 16/12							
<p>For use with horizontal or vertical terminations</p>  <p><b>Universal Bug Guard</b></p>	<p>• Included with Roof Discharge Terminals</p>  <p><b>Pipe Clamp</b></p>	<p><b>Roof Flashing - Flat</b></p> 					
		<p><b>Flashing for Metal Roof</b></p> 					



# Tankless Technologies

## Labeling

When purchasing or using venting, ensure the proper type is used. Polypropylene venting will have a green “Condensing” label on the package. Each polypropylene condensing vent component will have an orange “Warning” label on every inside and outside piece.



Condensing label on the packaging



Warning label on each individual vent piece



# Tankless Technologies

## Water Line Connection

Some manufacturers recommend the use of a “kit” that includes components used to connect the water lines to the water heater.

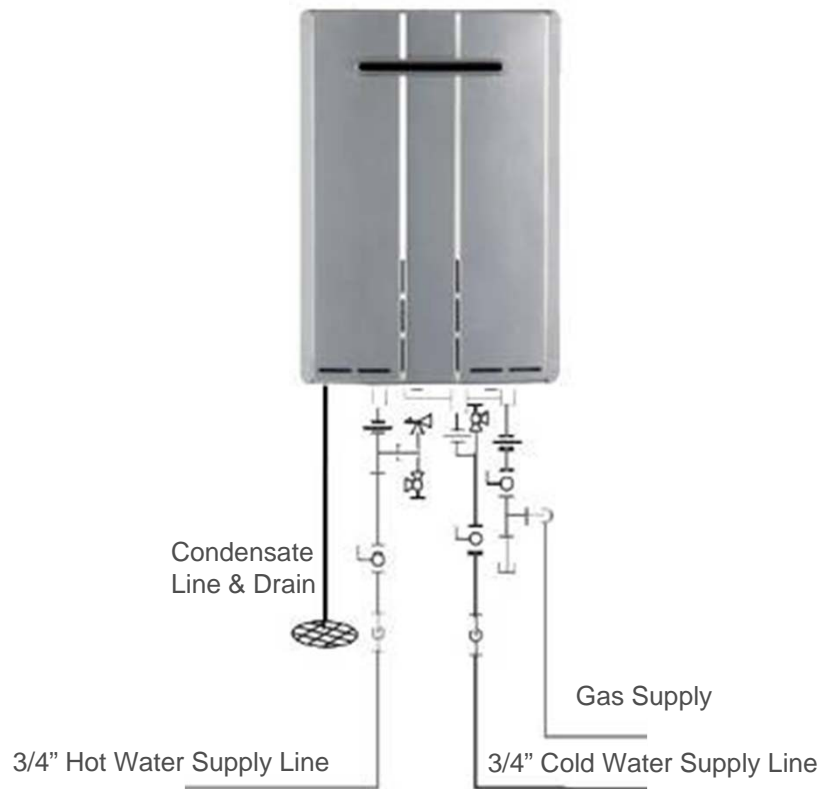
Use of this kit will assist in flushing the heat exchanger in areas where water quality issues exist, as well as improve overall product serviceability.

A standard size kit (with a PRV rated to 200K Btu) is acceptable for condensing tankless water heaters having a maximum input of 199,000 Btu.



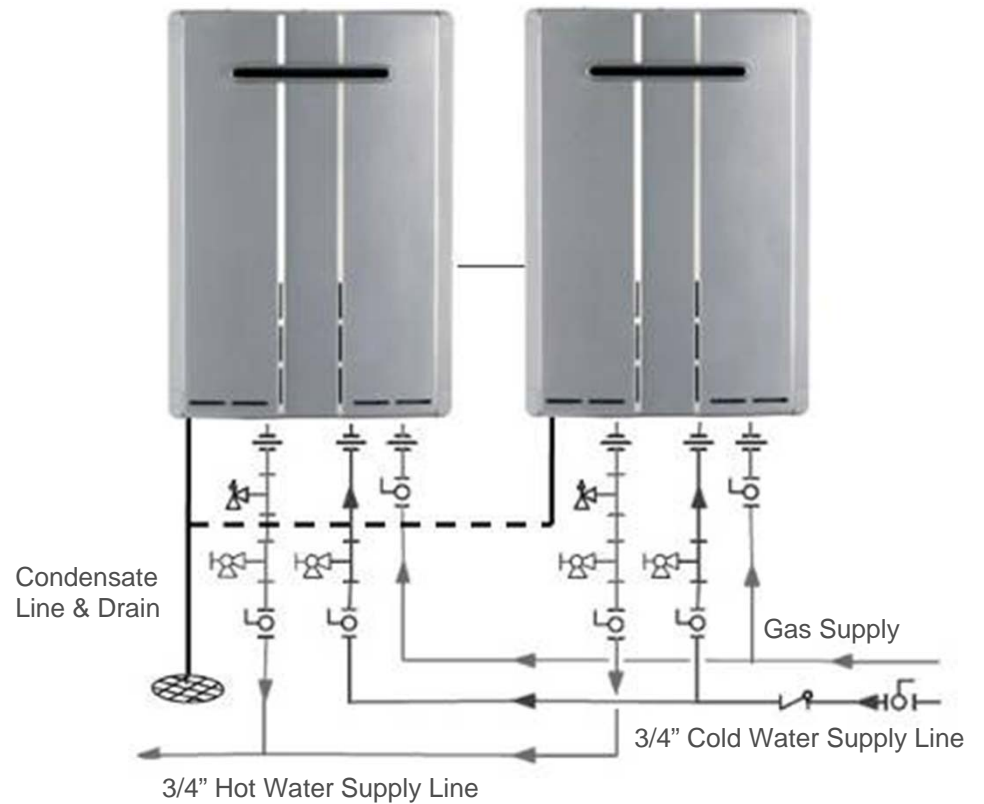
# Tankless Technologies

## Single Unit Installation



Standard Installation: Single unit based on structure's hot water demand (bathrooms/fixtures)

## Multi Unit Application



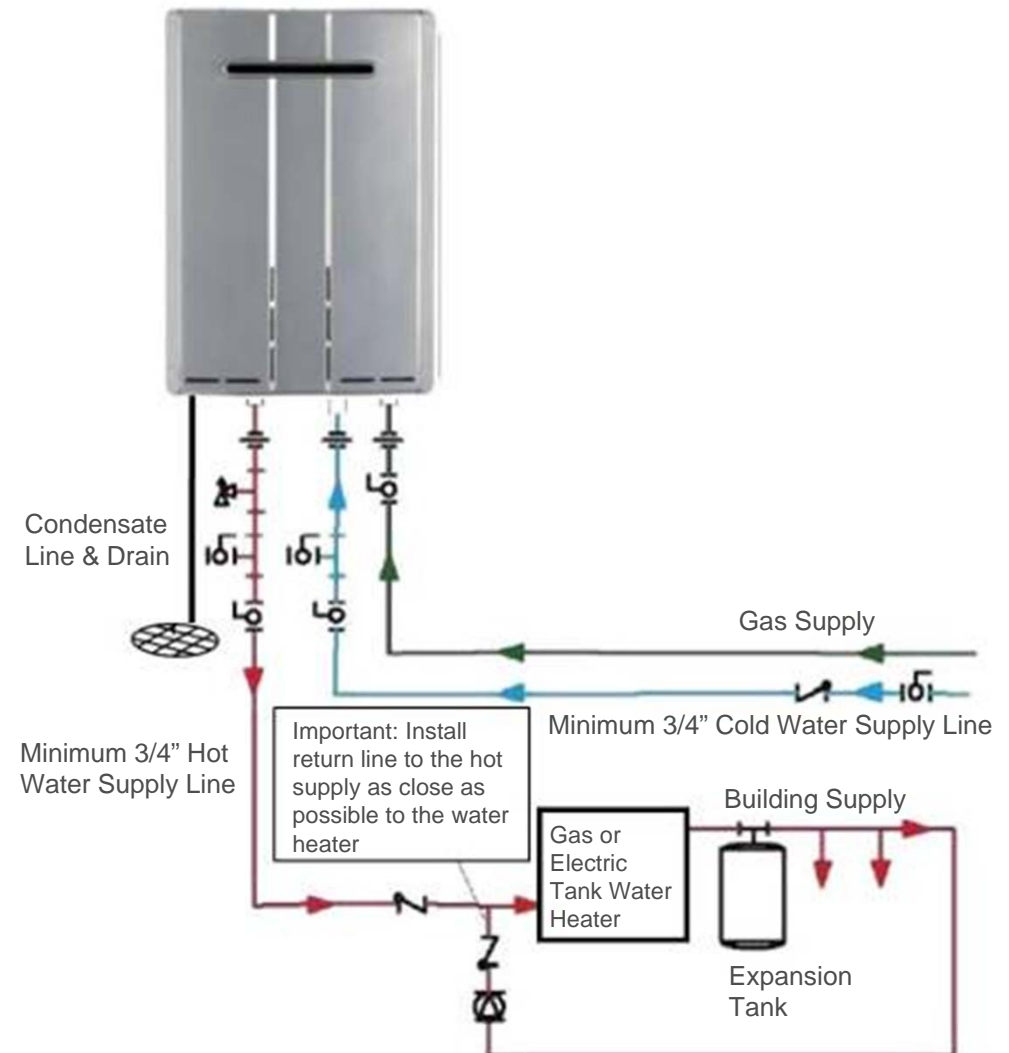
Two Unit Standard Installation: Will require a multiple system configuration of mechanical and electrical components to enable the units to work together.

# Tankless Water Heaters with Recirculation

## Recommended Piping - Recirculation

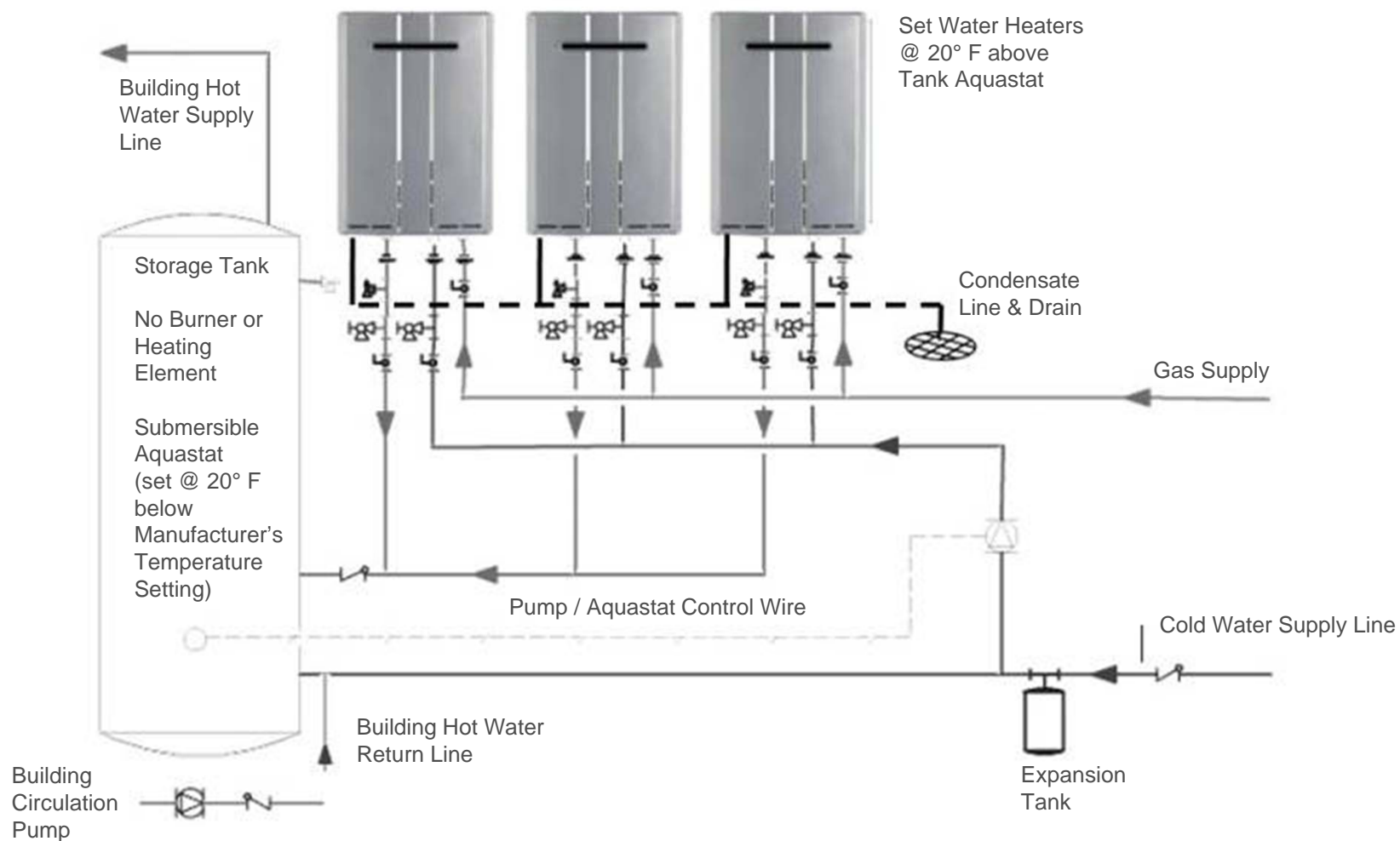
For this application:

- Pump should be of bronze or stainless construction and controlled by an aquastat or timer, or combination of both.
- Pump to be sized to maintain circulation loop temperature.
- The pump should be sized to overcome the pressure loss through the tank water heater, and supply and return plumbing in the circulation loop.



# Tankless Water Heaters with Recirculation

## Backup Storage / Circulation Example



# Residential Applications

## Introduction

There are many opportunities in which to use tankless water heaters in residential applications, including:

- single family homes
- attached housing
- condominiums, and
- apartments.





# Residential Applications

## Residential Requirements

Typically, an average three-bath home requires only one tankless water heater. Consider zoning the plumbing for larger homes.

For homes with custom fixtures, multiple units can be manifolded together to provide the necessary amount of hot water.

For installations that require two water heaters, connecting cables are required. Installations that require three or more water heaters in one location will require a multiple system configuration of mechanical and electrical components to enable the units to work together.





# Residential Applications

## Single Family Homes

San Clemente, CA

Homes ranging in size from 4,719 – 5,399 square feet, having five to seven bedrooms and five-and-a-half to seven-and-a-half bathrooms, use internal tankless water heater units vented to the outside with an on-demand recirculating pump.



# Residential Applications

## Attached Homes

Torrance, CA

Each attached home, ranging from 1,839 – 1,960 square feet, with three bedrooms and two-and-a-half bathrooms, uses one tankless water unit, located in the attic, to provide hot water.



# Residential Applications

## Condominiums

Anaheim, CA

This 60-unit condominium complex includes two- and three-bedroom units.

Water heaters are providing both domestic and space heating.



# Residential Applications

## Apartments

Marina Del Rey, CA

In each of the 400 apartments in this building, interior tankless water heaters were installed in custom enclosures with the vent termination above the enclosures.



# Residential Applications

## Residential/Business

Aliso Viejo, CA

These 41 townhomes include one tankless water heater for each living unit.

Some plans include an interior model in the balcony closet, while others include a recessed box with an exterior model.





# Commercial Applications

## Introduction

There are many opportunities in which to use tankless water heaters in commercial applications, including:

- car washes
- hotels and motels
- detention centers
- fitness centers and spas
- schools and daycare facilities
- dormitories/locker rooms
- stadiums
- cafeterias and restaurants
- laundry facilities
- government facilities
- nursing/retirement homes
- churches, and
- industrial facilities.



# Commercial Applications

## Car Washes

This car wash has ten standard bays, two large truck bays, and two automatic car wash bays.

Eight units with 320 gallons of storage replaced four 560,000-Btu units with six hundred gallons of storage.





# Commercial Applications

## Hotels and Motels

This 75-room Ramada Inn operates with eight tankless units.

According to the CFO, they realized savings of 50 percent per room occupied in 2007 as compared to 2006.

Also, the hotel qualified for a \$900 rebate from the natural gas utility.



# Commercial Applications

## Detention Centers

Twelve tankless water heating units are being used to handle the needs of the 600-inmate jail, including 72 showers and kitchen.



# Commercial Applications

## Fitness Centers

Ten tankless units replaced two 2,000,000-Btu boilers and 1,800 gallons of storage.

The tankless units run 42 showers and 10 lavatories and can deliver 3,900 gallons of unmixed hot water an hour.

Use of the tankless units freed up 20 x 40 square feet of space in a room that can now be repurposed.

Also, the fitness center qualified for a \$6,000 rebate and reduced the annual operating costs by \$5,000.



# Commercial Applications

## Schools and Daycare Facilities

Middle School in Charlotte, NC

Five tankless water heaters with 200 gallons of storage replaced a 800,000-Btu boiler and handle all of the hot water demands at a middle school in Charlotte, NC.

The school states that they saved \$6,387.93 (5,057.74 therms) in the first five months of operation from November 2007 to March 2008.





# Commercial Applications

## Locker Rooms

Middle School in Birmingham, AL

Student Population: 590

Six tankless units handle the athletic locker rooms containing ten showers, fourteen lavatories, and two mop sinks.

Note that the tankless system saved more than 50% on therms per gallon of water consumed when compared to a similar application in another middle school in the same region.



# Commercial Applications

## Stadiums

Three tankless units replaced a 2,000,000-Btu boiler with a 200-gallon storage tank.



Please remember the **exam password RECESS**. You will be required to enter it in order to proceed with the online examination.

# Commercial Applications

## Restaurants

Four tankless systems were installed, replacing the existing tank system (70-gallon, 360,000-Btu) in a restaurant in San Antonio, TX.

By installing the units on the roof, substantial space was freed up in a 20 x 20 mechanical room.

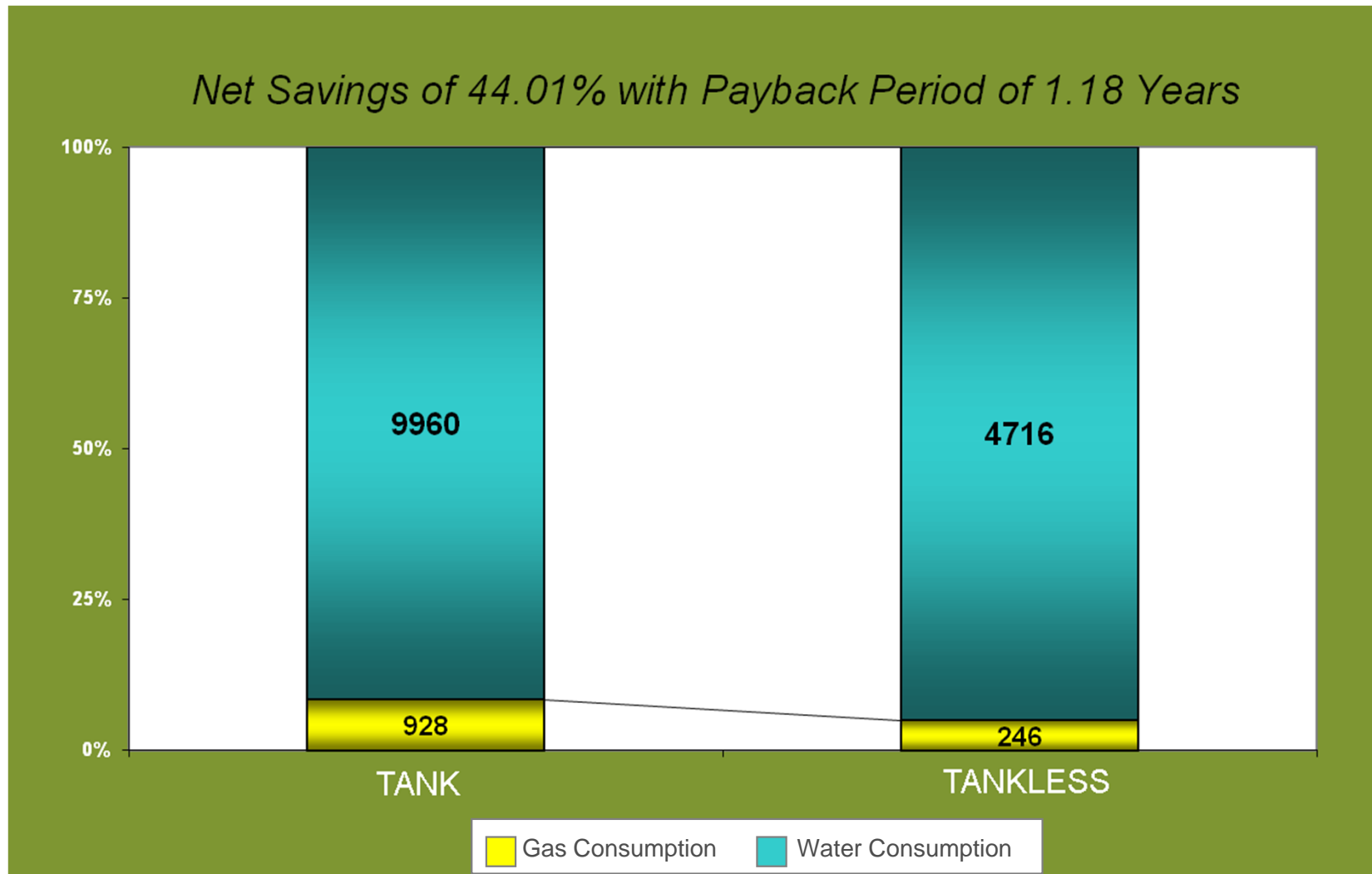
Results of tests measuring therms/gallon consumption proved natural gas savings (refer to the table on subsequent slide).





# Commercial Applications

## Second Restaurant: Net Savings 44.01%



# Summary

- Tankless water heaters are environmentally sound appliances as they produce very low NO<sub>x</sub> and CO<sub>2</sub> emissions.
- Components of some tankless systems are replaceable, unlike standard tank water heaters that are typically replaced when they fail or leak.
- 95% of the components of some tankless units are recyclable.
- With a life expectancy of up to twenty years, tankless systems offer twice the service life over a standard tank type water heater.
- Tankless systems provide space savings, energy savings, and lower operating costs.
- As part of a green design strategy, specifying tankless systems is a viable solution for a wide range of residential and commercial applications.

# Course Evaluations

In order to maintain high-quality learning experiences, please access the evaluation for this course by logging into [CES Discovery](#) and clicking on the Course Evaluation link on the left side of the page.



THE AMERICAN INSTITUTE  
OF ARCHITECTS

- Discovery Home
- Notifications
- Scheduled Courses
- Course Directory
- Self-Report Activities
- Transcript
- Resources



- > Update My Account
- > E-mail AIA/CES Member Care Center
- > Course Evaluation



## Welcome, AIA Members



> **Find Courses**  
Search the CES Discovery for available courses.



> **Events**  
Check out the schedule of upcoming provider training Web seminars and events.



> **MCE Requirements**  
Find links to all U.S. state and Canadian licensing requirements.



> **Get Started**  
Need assistance? Explore our online tutorials and simulations that will guide your way through CES Discovery.

## Conclusion of This Program

If you desire AIA/CES and/or state licensing continuing education credits, please click on the button below to commence your online examination. Upon successful (80% or better) completion of the exam, please print your Certificate of Completion.

For additional knowledge and post-seminar assistance, please visit the Ask an Expert forum (click on the link above and bookmark it in your browser).

If you have colleagues that might benefit from this seminar, please let them know. Feel free to revisit the AEC Daily web site to download additional programs from the Online Learning Center. [▶ MORE](#)

[Click Here To Take The Test](#)

[Exit](#)



©2009 Rinnai America Corporation. The material contained in this course was researched, assembled, and produced by Rinnai America Corporation and remains their property. Questions or concerns about this course should be directed to the instructor.

